

Instruction

WIESLAB® Complement system ScreenEnzyme immunoassay for assessment of
Complement functional activity

Break apart microtitration strips (4x8x3) 96 wells
Store the kit at +2-8° C
Store the positive control at -20° C
For in vitro diagnostic use only



Document No. E-23-0161-10
May, 2015

WIESLAB® Complement system Screen

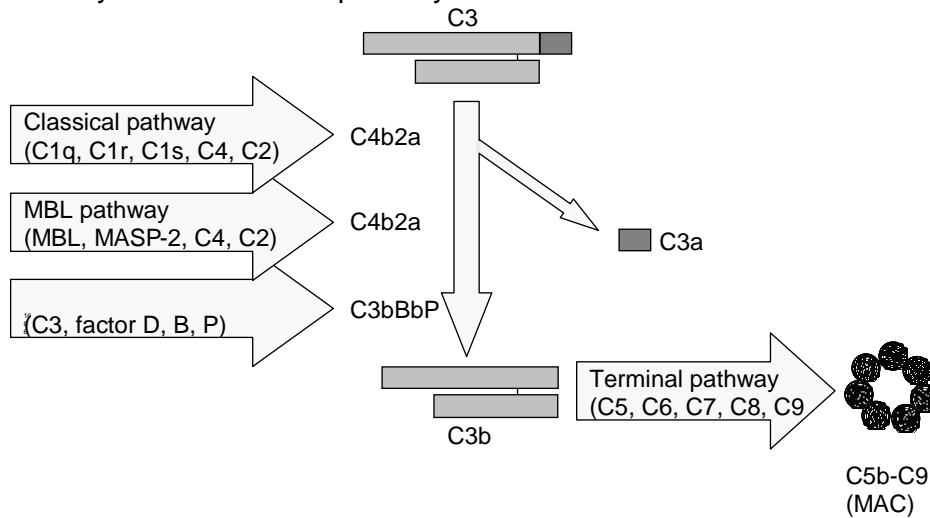
English:	page	2
Français:	page	10
Español:	página	18
Deutsch:	Seite	24
Italiano:	pagina	34
Português:	página	40
Dansk:	side.....	46
Norsk:	side.....	52
Svenska:	sida.....	58

INTENDED USE

The Wieslab[®] Complement system Screenkit is an enzyme immunoassay for the qualitative determination of functional classical, MBL and alternative complement pathways in human serum. FOR *IN VITRO* DIAGNOSTIC USE.

Summary and explanation

The complement system plays an essential role in chronic, autoimmune and infectious disease. There are three pathways of complement activation (fig. 1), namely the classical, the alternative and the recently discovered MBL pathway.



Impaired complement activity causes humans to become susceptible to repetitive fulminant or severe infections and may contribute to development of autoimmune disease. Inappropriate activation of complement contributes to chronic inflammation and tissue injury.

Principle of the Wieslab[®] Complement assay

The Wieslab[®] Complement assay combines principles of the hemolytic assay for complement activation with the use of labelled antibodies specific for neoantigen produced as a result of complement activation. The amount of neoantigen generated is proportional to the functional activity of complement pathways.

The wells of the microtitre strips are coated with specific activators of the classical, or the MBL, or the alternative pathway. Patient serum is diluted in diluent containing specific blocker to ensure that only the respective pathway is activated. During the incubation of the diluted patient serum in the wells, complement is activated by the specific coating.

The wells are then washed and C5b-9 is detected with a specific alkaline phosphatase labelled antibody to the neoantigen expressed during MAC formation.

After a further washing step, detection of specific antibodies is obtained by incubation with alkaline phosphatase substrate solution. The amount of complement activation correlates with the colour intensity and is measured in terms of absorbance (optical density (OD)).

Warnings and precautions

- For *in vitro* diagnostic use.
- The human serum components used in the preparation of the controls in the kit have been tested for the presence of antibodies to human immunodeficiency virus 1 & 2 (HIV 1&2), hepatitis C (HCV) as well as hepatitis B surface antigen by FDA approved methods and found negative. Because no test methods can offer complete assurance that HIV, HCV, hepatitis B virus, or other infectious agents are absent, specimens and human-based reagents should be handled as if capable of transmitting infectious agents.
- The Centers for Disease Control and Prevention and National Institutes of Health recommended that potentially infectious agents be handled at the Biosafety Level 2.

- All solutions contain ProClin 300 as a preservative. Never pipette by mouth or allow reagents or patient sample to come into contact with skin. Reagents containing ProClin may be irritating. Avoid contact with skin and eyes. In case of contact, flush with plenty of water.
- Material safety data sheets for all hazardous components contained in this kit are available on request from Euro Diagnostica.



BUF	WASH	30X
DIL		
CONJ		

CONTROL	-
SUBS	pNPP

Warning

Contains ProClin 300:

Reaction mass of: 5-chloro-2-methyl-4-isothiazolin-3-one [EC no. 247-500-7] and 2-methyl-4-isothiazolin-3-one [EC no. 220-239-6] (3:1)

- H317: May cause an allergic skin reaction.
 P264: Wash hands thoroughly after handling.
 P280: Wear protective gloves/protective clothing/eye protection/face protection.
 P302+352: IF ON SKIN: Wash with plenty of soap and water.
 P333+313: If skin irritation or rash occurs: Get medical advice/attention.

Specimen collection

Blood samples are to be collected using aseptic venipuncture technique and serum obtained using standard procedures. A minimum of 5 mL of whole blood is recommended. Allow blood to clot in serum tubes, for 60-65 minutes at room temperature (20-25° C). Centrifuge blood samples and transfer cell-free serum to a clean tube. **Sera must be handled properly to prevent *in vitro* complement activation.** Sera should be frozen at -70° C or lower in tightly sealed tubes for extended storage or for transport on dry ice. Samples should not be frozen and thawed more than once. Avoid using sera which are icteric, lipemic and hemolyzed. Heat-inactivated sera can not be used. Plasma can not be used. The NCCLS provides recommendations for storing blood specimens, (Approved Standard-Procedures for the Handling and Processing of Blood Specimens, H18A, 1990).

Kit components and storage of reagents

- One frame with break apart wells (4x8x3) sealed in a foil pack with a desiccation sachet. 4 blue coloured strips for classical pathway (CP), coated with human IgM. 4 green coloured strips for MBL pathway (MP), coated with mannan. 4 red coloured strips for alternative pathway (AP), coated with LPS.
- 10 ml Diluent CP (Dil CP), labelled blue.
- 10 ml Diluent MP (Dil MP), labelled green.
- 10 ml Diluent AP (Dil AP), labelled red.
- 13 ml conjugate containing alkaline phosphatase-labelled antibodies to C5b-9 (blue colour).
- 13 ml Substrate solution ready to use.
- 30 ml wash solution 30x concentrated.
- 0,2 ml negative control (NC) containing human serum (to be diluted as for a patient serum sample).
- 0,2 ml positive control (PC) containing freeze-dried human serum, see "Reconstitution of positive control", below.

All reagents in the kit are ready for use except washing solution and controls. The reagents should be stored at 2-8° C except the positive control. **The positive control should be stored at -20° C.**

Materials or equipment required but not provided

- Microplate reader with filter 405 nm.
- Precision pipettes with disposable tips.
- Washer for strips, absorbent tissue, tubes and a timer.

PROCEDURE

Remove only the number of wells needed for testing, resealing the aluminium package carefully. Let all solutions equilibrate to room temperature (20-25° C) before analysis.

Preparation of washing solution

In case salt crystals are observed in the vial with concentrated wash solution, place the vial at 37°C water bath until the crystals have dissolved before dilution of wash solution. Dilute 30 ml of the 30x concentrated wash solution in 870 ml distilled water. When stored at 2-8° C, the diluted wash solution is stable until the date of expiration of the kit.

Reconstitution of positive control

Gently tap down all lyophilized material to the bottom of the vial and remove the cap. Immediately add 200 µl of distilled water directly to the lyophilized material. Replace the cap. Allow the vial to stand on ice for 5 minutes and then gently shake or vortex occasionally until completely dissolved. Dilute the reconstituted control in the same way as a patient serum sample. The reconstituted control can be stored for up to 4 hours prior to use if kept at 2-8° C or on ice. It can be frozen at -70° C and thawed once.

Serum

Partially thaw frozen sera by briefly placing in a 37°C water bath with gentle mixing. After partially thawing immediately place the tubes in an ice bath and leave on ice until completely thawed. Mix briefly on a vortex mixer.

Dilution of serum

Classical Pathway (CP): Dilute the serum 1/101 with Diluent CP, blue label, (500 µl Diluent + 5 µl serum). The diluted serum can be left at room temperature for a maximum of 60 minutes before analysis.

MBL Pathway (MP): Dilute the serum 1/101 with Diluent MP, green label, (500 µl Diluent + 5 µl serum). The diluted serum must be left at room temperature for >15 minutes before analysis, but not more than 60 minutes.

Alternative Pathway (AP): Dilute the serum 1/18 with Diluent AP, red label, (340 µl Diluent + 20 µl serum). The diluted serum can be left at room temperature for a maximum of 60 minutes before analysis.

Incubation of samples

Pipet 100 µl/well in duplicate of Diluent (Dil) as a blank, positive control (PC), negative control (NC) and diluted patient's serum (P) for each pathway according to the diagram. Incubate for 60-70 minutes at +37° C with lid.

Please note that no incubation should be performed under CO₂ atmosphere. If a CO₂ cabinet is used, make sure that the CO₂ supply is disconnected/off.

	Classical Pathway				MBL Pathway				Alternative Pathway			
	1	2	3	4	5	6	7	8	9	10	11	12
A	Dil CP	P2			Dil MP	P2			Dil AP	P2		
B	Dil CP	P2			Dil MP	P2			Dil AP	P2		
C	PC	etc			PC	etc			PC	etc		
D	PC				PC				PC			
E	NC				NC				NC			
F	NC				NC				NC			
G	P1				P1				P1			
H	P1				P1				P1			

After serum incubation

Empty the wells and wash 3 times with 300 µl washing solution, filling and emptying the wells each time. After the last wash, empty the wells by tapping the strip on an absorbent tissue.

Adding conjugate

Add 100 µl conjugate to each well. Incubate for 30 minutes at room temperature (+20-25° C).

After conjugate incubation

Wash 3 times as before.

Adding substrate solution

Add 100 µl substrate solution to each well, incubate for 30 minutes at room temperature (+20-25° C). Read the absorbance at 405 nm on a microplate reader. (5 mM EDTA can be used as stop solution, 100 µl/well. Read the absorbance of the wells within 60 minutes.)

Calculation of result

Subtract the absorbance of the Blank (Diluent) (for each pathway) from the NC, PC and the samples. The absorbance of the positive control should be >1 and the negative control absorbance < 0.2.

The negative and positive controls can be used in a semiquantitative way to calculate complement activity. Calculate the mean OD_{405nm} values for the sample, PC and NC and calculate the % complement activity as follows: (Sample-NC)/(PC-NC)x100. The negative and positive controls are intended to monitor for substantial reagent failure. The positive control will not ensure precision at the assay cut-off. It is recommended that each laboratory establish its own reference level and cutoff value for deficiencies.

A negative result i.e. deficiency, should always be verified by testing a new sample to ensure that no in vitro complement activation has taken place.

Limitations

The individual patient's complement level can not be used as a measure of disease severity, as it may vary from patient to patient. Thus, it is difficult to obtain an absolute standardisation of results.

The test should not be relied upon as the sole basis of decisions on clinical therapy, but should be used in combination with clinical symptoms and the results of other available tests. Therapy should not be started on basis of the complement assay result. Initiation or changes in treatment should not be based on changes in complement levels alone, but rather on careful clinical observation.

Expected results

In vitro activation of the complement sequence leads to the consumption of complement components which, in turn, leads to a decrease in their concentration. Thus, the determination of complement proteins or complement activity is used to indicate whether the complement system has been activated by an immunologic and/or pathogenic mechanism. Both functional and immunochemical complement measurements are used to evaluate patients when a complement-activating disease is suspected or an inherited deficiency is possible. The level of complement activity evaluated by functional assays such as Wieslab[®] Complement kit takes into account the rate of synthesis, degradation, and consumption of the components and provides a measure of the integrity of the pathways as opposed to immunochemical methods which specifically measure the concentration of various complement components. When decreased levels of complement components or complement function are found, a deficiency or an ongoing, immunologic process, leading to increased breakdown of components and depression of complement levels is considered by clinicians. Increased complement levels are usually a nonspecific expression of an acute phase response.

The combination of the three Wieslab[®] assays for complement can be helpful for detection of complement deficiencies as shown in the table below:

Classical pathway	MBL pathway	Alternative pathway	Possible deficiency
Positive	Positive	Positive	None
Negative	Positive	Positive	C1q, C1r, C1s
Positive	Positive	Negative	Properdin, Factor B,D
Positive	Negative	Positive	MBL, MASP2
Negative	Negative	Negative	C3, C5,C6,C7,C8,C9
Negative	Negative	Positive	C4, C2 or combination

Performance characteristics

120 sera from blood donors were tested in the three assays and the normal reference range was calculated. The values were expressed in % of the positive control. See Figure 1 and Table 1. In the CP assay no blood donor was below 40 %. In the MP assay 23 samples were below 10 % and they had MBL values (established in a separate assay) below 500 ng/ml and in the AP assay no blood donor was

below 10 %. Please note that true deficient MP, i.e. an activity of <10%, may be found in a normal population at a frequency of 20-30%.

Figure 1.

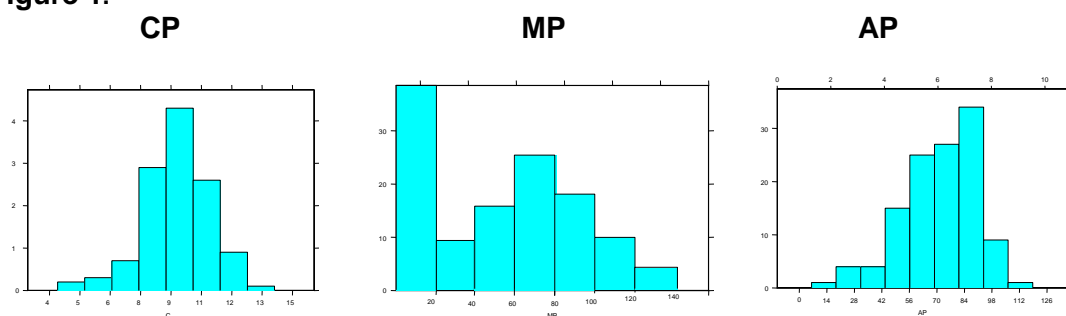


Table 1.

	n	Mean (%)	$\pm 2SD$ (%)	Median (%)
Classical pathway	120	99	69-129	100
MBL pathway	120	49	0-125	56
Alternative pathway	120	71	30-113	73

Table 2

Sera with known complement deficiencies were tested in the assays and the following results were obtained. All deficient sera were detected in the assay and gave values below 5 %.

Deficiency	C1q	C2	C3	C4	C5	C6	C7	C8	C9	P	H	I
Number of patients	3	11	1	1	2	1	2	2	1	9	1	2
Number of deficient sera detected	3	11	1	1	2	1	2	2	1	9	1	2

Table 3. Inter-assay precision was determined by testing three samples in duplicate. Results were obtained for six different runs.

Sample	Mean value %	SD	CV %
CP P1	98	4.3	4
CP P2	92	3.9	4
CP P3	21	1.7	8
MP P1	91	3.3	4
MP P2	37	4.0	11
MP P3	16	2.3	15
AP P1	48	5.1	11
AP P2	89	8.0	9
AP P3	16	3.1	20

Table 4. Intra-assay precision was determined by testing one sample in 40 wells.

Assay	Mean value %	SD	CV %
CP	85	2.9	3
MP	74	3.9	5
AP	83	5.7	7

Troubleshooting

Problem	Possible causes	Solution
Control values out of range	Incorrect temperature, timing or pipetting, reagents not mixed	Check that the time and temperature was correct. Repeat test.
	Cross contamination of controls	Pipette carefully.
	Optical pathway not clean.	Check for dirt or air-bubbles in the wells. Wipe plate bottom and reread.
	Positive control not properly dissolved.	Check the positive control dissolve a new.
All test results negative	Mixup of plates or reagents from another pathway. Improper dilution.	Repeat test.
	One or more reagents not added, or added in wrong sequence.	Recheck procedure. Check for unused reagents. Repeat test.
	Antigen coated plate inactive.	Check for obvious moisture in unused wells. Wipe plate bottom and reread.
	Serum inactive.	Dilute new samples.
All test results yellow.	Mixup of plates or reagents from another pathway.	Repeat test.
	Contaminated buffers or reagents.	Check all solutions for turbidity.
	Washing solution contaminated.	Use clean container. Check quality of water used to prepare solution.
Poor precision.	Improper dilution of serum.	Repeat test.
	Pipette delivery CV >5% or samples not mixed.	Check calibration of pipette. Use reproducible technique. Avoid airbubbles in pipette tip.
	Serum or reagents not mixed sufficiently or not equilibrated to room temperature.	Mix all reagents gently but thoroughly and equilibrate to room temperature.
	Reagent addition taking too long, inconsistency in timing intervals.	Develop consistent uniform technique and use multi-tip device or autodispenser to decrease time.
	Optical pathway not clean.	Check for airbubbles in the wells. Wipe plate bottom and reread.
	Washing not consistent, trapped bubbles, washing solution left in the wells.	Check that all wells are filled and aspirated uniformly. Dispense liquid above level of reagent in the well. After last wash, empty the wells by tapping the strip on an absorbent tissue.

References

- Walport M, Complement (First of two parts) N Engl J Med 2001, 344, 1058-1066.
- Walport M, Complement (Second of two parts) N Engl J Med 2001, 344, 1140-1144.
- Roos A, Bouwman L, Munoz J et al. , Functional characterization of the lectin pathway of complement in human serum. Mol Immunol 2003, 39, 655-668.
- Nordin Fredriksson G, Truedsson L, Sjöholm A. New procedure for detection of complement deficiency by ELISA. J Imm Meth 1993, 166, 263-270.

Explanation of symbols. L'explication de symboles. La explicación de símbolos. Erklärung der Symbole. La spiegazione di simboli. Explicação dos símbolos. Forklaring til symboler. Symbolforklaring. Förklaringar till symboler.

	Batch code. Numéro de lot. Número de lote. Chargen-Nummer. Numero di lotto. Código do lote. Partnummer. Lot nummer. Satsnummer.
	Catalogue number. Référence catalogue. Número de catálogo. Katalog-Nummer. Numero di catalogo. Número catalogo. Katalognummer.
	Use-by date. Date de péremption. Fecha de caducidad. Verfallsdatum. . La data di scadenza. Prazo de validade. Udløbsdato. Utløpsdato. Använd före.
	Temperature limit. Seuils de températures. Rango de temperature. Temperaturbereich. Limitazioni di temperatura. Limite de temperatura. Opbevaringstemperatur. Oppbeverages ved. Förvaringstemperatur.
	Biological risk. Risque biologique. Riesgo biológico. Biologische Gefährdung. Rishio biologico. Risco biológico. Biologisk risk.
	Consult instructions for use. Lire le mode d'emploi. Consulte las instrucciones de uso. Gebrauchsanweisung beachten. Leggere le istruzioni per l'uso. Consultar as instruções de utilização. Se brugsanvisning. Se bruksanvisningen. Läs instruktionsmanualen.
	In vitro diagnostic medical device. Dispositif médical de diagnostic in vitro. Producto sanitario para diagnóstico in vitro. In-vitro-Diagnostikum. Dispositivo medico-diagnostico in vitro. Dispositivos médicos para diagnóstico <i>in vitro</i> . In Vitro medisinsk diagnoseutstyr. In vitro diagnostik medicinsk utrustning.
	Warning. Attention. Atención. Achtung. Attenzione. Atenção. Advarsel. Advarsel. Varning.
	Manufacturer. Fabricant. Fabricante. Hersteller. Produttore. Fabricante. Fabrikant. Producent. Produsent. Tillverkare.
 96	Contains sufficient for 96 tests. Contenu suffisant pour 96 tests. Contenido suficiente para 96 pruebas. Inhalt ausreichend für 96 Tests. Contenuto sufficiente per 96 test. Inneholder tilstrækkelig for 96 test. Inneholder tilstrekkelig for 96 test. Innehåller tillräckligt för 96 test.
	Conformity to 98/79/EC on In Vitro Diagnostic Medical Device Directive. Conformément à la directive européenne 98/79/CE relative aux dispositifs médicaux de diagnostic in vitro. La conformidad con la Directiva 98/79/CE sobre productos sanitarios para diagnóstico in vitro. Konform mit Richtlinie 98/79/EG zu In-vitro-Diagnostika. Conformità alla direttiva 98/79/CE relativa ai dispositivi medico-diagnostici in vitro. Medicinsk utstyr til in vitro-diagnostik, i overensstemmelse med Europa-Parlamentets og Rådets direktiv 98/79/EF. Medisinsk utstyr i samsvar med EU in vitro diagnostic directive 98/79/EF. Överensstämmer med direktiv 98/79/EG för medicintekniska produkter.

Ag	Antigen. Antigène. Antigeno, Antigen. L'antigene. Antígeno. Antigen. Antigen. Antigen.
DIL	Diluent. Diluant. Diluyente. Probenverdünnungspuffer. Il diluente. Diluente. Diluent. Fortynning. Spädningsbuffert.
CONJ	Conjugate. Conjugué. Conjugado. Konjugat. Conjugato. Conjugado. Konjugat. Konjugat.
BUF WASH 30X	Wash solution 30x conc. Solution lavage conc. 30x. Solución de lavado conc. 30x. Waschpuffer 30x konz. Soluzione di lavaggio 30x conc. Solução de lavagem conc. 30 vezes. Vaskebuffert 30x konc. Vaskeløsning 30x kons. Tvättbuffert 30x konc.
SUBS pNPP	Substrate pNPP. pNPP Substrat. Sustrato pNPP. Substrat pNPP. Substrato pNPP. Substrato pNPP. Substrat pNPP.
CONTROL -	Negative control. Contrôle négatif. Control negativo. Negativkontrolle. Controllo negativo. Controllo negativo. Negativ control. Negativ kontroll. Negativ kontroll.
CONTROL + LYO	Lyophilized positive control. Contrôle positif lyophilisé. Control positivo liofilizado. Lyophilisierte Positivkontrolle. Controllo positivo liofilizzato. Controllo positivo liofilizado. Frysetørret positiv kontrol. Lyofilisert positiv kontroll. Frystorkad positiv kontroll.

TROUSSE IMMUNOENZYMATIQUE POUR LA DETERMINATION DE L'ACTIVITE FONCTIONNELLE DU COMPLEMENT

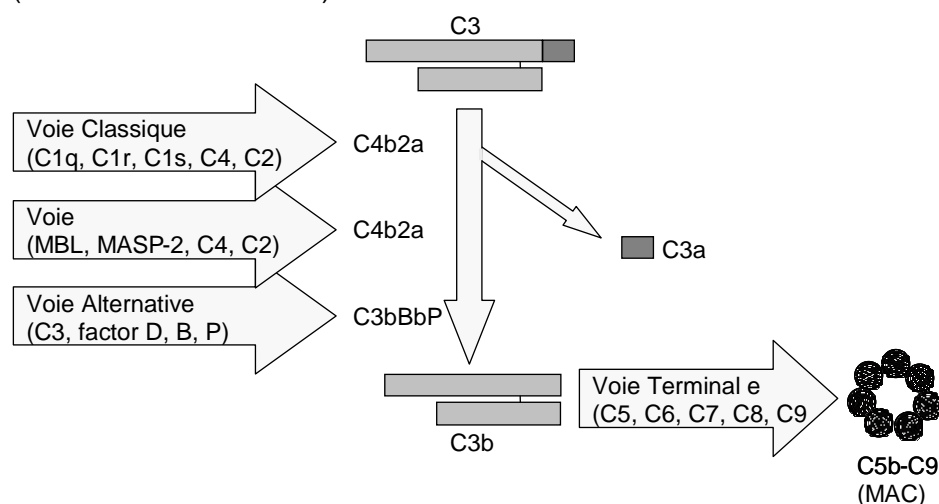
Indications d'utilisation

La trousse Wieslab® Complement system Screen utilise une méthode immuno-enzymatique (ELISA) pour la détermination qualitative de l'activité du complément par la voie classique, MBL et alternative, dans le sérum humain.

POUR DIAGNOSTIC *IN VITRO*.

Résumé et Explication

Le système du complément joue un rôle essentiel dans les maladies chroniques, auto-immunes et infectieuses. Il existe trois voies d'activation du complément (fig. 1), dénommées classique, MBL (découverte récemment) et alternative.



L'altération de l'activité du complément conduit chez l'homme à devenir réceptif à des infections répétées fulminantes ou graves et peut contribuer au développement de maladies autoimmunes. Une activation inappropriée du complément contribue à une inflammation chronique et lésions tissulaires.

Principe du dosage Wieslab® Complement

Le dosage Wieslab® Complement combine les principes du dosage hémolytique d'activation du complément et l'utilisation d'anticorps spécifiques du néoantigène, marqués, fabriqués suite à l'activation du complément. La quantité de néoantigène produite est proportionnelle à l'activité fonctionnelle des voies du complément.

Les puits de microtitration sont revêtus d'activateurs spécifiques des voies classique, MBL ou alternative. Le sérum de patient est dilué dans le diluant qui contient un bloqueur spécifique pour permettre l'activation de la voie respective. Durant l'incubation du sérum de patient dilué dans les puits, le complément est activé par le revêtement spécifique.

Les puits sont alors lavés et le C5b-9 est détecté grâce à un anticorps spécifique marqué à la phosphatase alcaline dirigé contre le néoantigène exprimé pendant la formation du MAC.

Après une nouvelle étape de lavage, la détection des anticorps spécifiques se fait par incubation avec une solution substrat à la phosphatase alcaline. La quantité d'activation du complément est corrélée avec l'intensité de la couleur et elle est mesurée en termes d'absorbance (densité optique (DO)).

Mises en garde et précautions d'emploi

- Pour diagnostic *in vitro*.
- Tous les composants de sérum humain utilisés pour la fabrication des contrôles de cette trousse ont été analysés par des méthodes agréées et ont été trouvés négatifs en Ag HBS, en anticorps anti-VHC et en anticorps anti-VIH 1/2. Toutefois, puisqu'il n'existe aucune méthode garantissant l'absence totale d'agents pathogènes, les échantillons et les réactifs d'origine humaine doivent être considérés comme étant potentiellement infectieux. C'est pourquoi il faudra le manipuler avec précaution.
- Toutes les solutions contiennent du ProClin 300 comme conservateur. Ne jamais pipeter avec la bouche et ne pas laisser les réactifs ou les échantillons de patient rentrer en contact avec la peau.

Les réactifs contenant du ProClin 300 peuvent être irritants. Eviter le contact avec la peau et les yeux. En cas de contact, laver avec une grande quantité d'eau.

- On peut se procurer les fiches de données de sécurité relatives à tous les constituants dangereux inclus dans le coffret sur demande auprès d'Euro Diagnostica.



BUF	WASH	30X
DIL		
CONJ		

CONTROL	-
SUBS	pNPP

Attention

Contient ProClin 300:

Masse de réaction de: 5-chloro-2-methyl-4-isothiazolin-3-one [EC no. 247-500-7] and 2-methyl-4-isothiazolin-3-one [EC no. 220-239-6] (3:1)

- H317: Peut provoquer une allergie cutanée.
 P264: Se laver soigneusement les mains après manipulation.
 P280: Porter des gants de protection/des vêtements de protection/un équipement de protection des yeux/du visage.
 P302+352: EN CAS DE CONTACT AVEC LA PEAU: laver abondamment à l'eau et au savon.
 P333+313: En cas d'irritation ou d'éruption cutanée: consulter un médecin.

Prélèvement des échantillons

Les échantillons sanguins doivent être prélevés par ponction veineuse aseptique et le sérum sera obtenu par des techniques standard. Un prélèvement d'au moins 5 ml de sang total est conseillé. Laisser le sang coaguler dans les tubes, pendant 60 à 65 minutes à température ambiante (20-25°C). Centrifuger les échantillons sanguins, et transférer le sérum dépourvu de cellules dans un tube propre.

Les échantillons doivent être correctement manipulés pour empêcher l'activation *in vitro*. Les échantillons de sérum doivent être congelés à -70° C ou à une température inférieure dans des tubes stériles hermétiques pour une conservation prolongée ou dans le cas de transport sur de la neige carbonique. Ils ne doivent pas subir plus d'un cycle de congélation/décongélation. Eviter d'utiliser du sérum ictérique, lipémique ou hémolysé. Le sérum inactivé par la chaleur ne peut pas être utilisé. Le plasma ne peut pas être utilisé non plus.

Composition de la trousse et conservation des réactifs

- Une microplaque avec des puits sécables (4x8x3), conditionnée dans un sachet d'aluminium contenant un déshydratant. 4 barrettes bleues pour la voie classique (CP), revêtues d'IgM humaine. 4 barrettes vertes pour la voie MBL (MP), revêtues de mannan. 4 barrettes rouges pour la voie alternative (AP), revêtues avec du LPS.
- 10 ml de diluant CP (Dil CP), marqué bleu.
- 10 ml de diluant MP (Dil MP), marqué vert.
- 10 ml de diluant AP (Dil AP), marqué rouge.
- 13 ml de conjugué contenant des anticorps anti-C5b-9, marqués à la phosphatase alcaline (couleur bleue).
- 13 ml de solution de substrat, prête à l'emploi.
- 30 ml de solution de lavage concentrée 30x.
- 0,2 ml de contrôle négatif (NC), contenant du sérum humain (à diluer comme l'échantillon de patient).
- 0,2 ml de contrôle positif (PC), contenant du sérum humain lyophilisé, voir «Reconstitution du contrôle positif» ci-dessous.

Tous les réactifs de la trousse sont prêts à l'emploi excepté la solution de lavage et les contrôles. Les réactifs doivent être conservés à 2-8 °C excepté **le contrôle positif, qui lui doit être conservé à -20 °C.**

Matériel nécessaire mais non fourni

- Lecteur de plaque avec filtre à 405 nm.
- Micropipettes de précision avec embouts jetables.
- Dispositif de lavage des microplaques, papier absorbant, tubes et minuterie.

PROCEDURE DE DOSAGE

Prélever uniquement le nombre de barrettes nécessaires au dosage et refermer le sachet d'aluminium soigneusement. Porter toutes les solution à température ambiante (20-25°C) avant le dosage.

Préparation de la solution de lavage

En cas d'observation de cristaux de sel dans le flacon contenant la solution de lavage concentrée, placer le flacon dans un bain-marie à 37 °C jusqu'à dissolution complète des cristaux avant de procéder à la dilution de la solution de lavage. Diluer 30 ml de solution de lavage concentrée x30 dans 870 ml d'eau distillée. Conservée à 2-8°C, la solution de lavage diluée est stable jusqu'à la date de péremption de la trousse.

Reconstitution du contrôle positif

Tapoter pour faire tomber tout le matériel lyophilisé vers le fond du flacon et retirer le bouchon. Ajouter immédiatement 200 µl d'eau distillée directement sur la poudre. Remettre le bouchon. Laisser le flacon sur de la glace pendant 5 minutes et mélanger doucement ou vortexer occasionnellement jusqu'à dissolution complète. Diluer le contrôle reconstitué de la même manière que l'échantillon de patient. Le contrôle reconstitué peut être conservé jusqu'à 4 heures avant utilisation, s'il est gardé à 2-8°C ou sur de la glace. Il peut être congelé à -70°C et décongelé une fois.

Sérum

Décongeler partiellement les sérums congelés en les plaçant brièvement dans un bain marie à 37° C et mélangeant doucement. Ensuite, placer immédiatement les tubes dans un bain glacé et les laisser sur la glace jusqu'à décongélation complète. Mélanger un peu sur un vortex.

Dilution du sérum

Voie classique (CP) : Diluer le sérum au 1/101 avec le diluant CP, étiquette bleue, (500 µl de diluant + 5 µl de sérum). Le sérum dilué peut être laissé à température ambiante pendant au maximum 60 minutes avant le dosage.

Voie MBL (MP): Diluer le sérum au 1/101 avec le diluant MP, étiquette verte, (500 µl de diluant + 5 µl de sérum). Le sérum dilué peut être laissé à température ambiante pendant plus de 15 minutes avant dosage, mais pas plus de 60 minutes.

Voie alternative (AP): Diluer le sérum au 1/18 avec le diluant AP, étiquette rouge, (340 µl de diluant + 20 µl de sérum). Le sérum dilué peut être laissé à température ambiante pendant au maximum 60 minutes avant le dosage.

Incubation des échantillons

Pipeter 100 µl/puits en doublets de diluant (Dil) comme blanc, de contrôle positif (PC), de contrôle négatif (NC) et de sérum de patient dilué (P) pour chaque voie selon le diagramme. Incuber pendant 60-70 minutes à +37°C avec un couvercle.

Veillez noter qu'aucune incubation ne doit être réalisée dans une atmosphère de CO₂. En cas d'utilisation d'un incubateur à CO₂, veiller à déconnecter/couper l'alimentation en CO₂.

	Voie classique				Voie MBL				Voie alternative			
	1	2	3	4	5	6	7	8	9	10	11	12
A	Dil CP	P2			Dil MP	P2			Dil AP	P2		
B	Dil CP	P2			Dil MP	P2			Dil AP	P2		
C	PC	etc			PC	etc			PC	etc		
D	PC				PC				PC			
E	NC				NC				NC			
F	NC				NC				NC			
G	P1				P1				P1			
H	P1				P1				P1			

Incubation après ajout du serum

Vider les puits et laver 3 fois avec 300 µl de solution de lavage, en remplissant et vidant les puits à chaque fois. Après le dernier lavage, vider les puits en tapotant la barrette sur du papier absorbant.

Ajout du conjugué

Ajouter 100 µl de conjugué à chaque puits. Incuber pendant 30 minutes à température ambiante (+20-25° C).

Incubation après ajout du conjugué

Laver 3 fois comme avant.

Ajout de la solution de substrat

Ajouter 100 µl de solution de substrat à chaque puits, incuber pendant 30 minutes à température ambiante (+20-25° C). Lire l'absorbance à 405 nm sur un lecteur de microplaque. (on peut utiliser de l'EDTA 5 mM comme solution d'arrêt, 100 µl/puits. Lire l'absorbance des puits dans les 60 minutes.)

Calcul des resultants

Soustraire l'absorbance du blanc (Diluant) (pour chaque voie) du NC, PC et échantillons. L'absorbance du contrôle positif doit être >1 et celle du contrôle négatif < 0.2.

Les contrôles négatif et positif peuvent être utilisés pour une détermination de l'activité semi-quantitative. Calculer la moyenne OD405 nm pour les échantillons, PC et NC et calculer le pourcentage de la valeur de l'activité du complément comme suivant: $(\text{Échantillons-NC})/(\text{PC-NC}) \times 100$. Les contrôles négatif et positif permettent de surveiller une défaillance des réactifs. Le contrôle positif ne garantit pas la précision de la valeur seuil du dosage. Il est conseillé que chaque laboratoire définisse ses propres valeurs de référence et la valeur seuil.

Un résultat négatif, c'est-à-dire, une déficience, doit être toujours vérifié en dosant un nouvel échantillon pour s'assurer qu'il n'y a pas eu d'activation du complément in vitro.

Limites

Le taux individuel de complément d'un patient ne doit pas être utilisé comme mesure de la gravité d'une maladie, puisqu'il peut varier d'un patient à un autre. Ainsi, il est difficile d'obtenir une standardisation absolue des résultats. Les décisions thérapeutiques ne doivent pas être basées uniquement sur les résultats du dosage, mais ceux-ci doivent être utilisés avec la symptomatologie et les résultats d'autres tests disponibles. La thérapie ne doit pas démarrer d'après le résultat du dosage du complément. Le début ou le changement du traitement ne doivent pas se faire uniquement en raison des changements du taux de complément, mais après examen clinique approfondi.

Résultats attendus

La séquence d'activation du complément in vitro conduit à la consommation de composants du complément qui, à leur tour, provoquent une diminution de leur concentration. Ainsi, la détermination des protéines du complément ou de l'activité du complément indique si le système du complément a été activé par un mécanisme immunologique et/ou pathogénique. Les deux mesures fonctionnelle et immunochimique du complément sont utilisées pour évaluer les patients en cas de suspicion de maladie d'activation du complément ou de déficience héréditaire. Le taux d'activité du complément déterminé par les dosages fonctionnels tels que la trousse Wieslab® Complement prennent en compte la vitesse de synthèse, dégradation et consommation des composants et fourni une mesure de l'intégrité des voies, au contraire des méthodes immunochimiques qui mesurent de façon spécifique la concentration de plusieurs composants du complément. Lorsque des taux bas de composants ou de la fonction du complément sont trouvés, les médecins pensent à une déficience ou à un processus immunologique en cours, conduisant à une rupture de composants en augmentation et à une dépression des taux du complément. Des taux de complément augmentés sont souvent une expression non spécifique d'une réponse en phase aiguë.

La combinaison des trois dosages Wieslab® pour le complément peuvent être utiles pour la détection des déficiences du complément, comme indiqué dans le tableau ci-dessous.

Voie classique	Voie MBL	Voie alternative	Déficience possible
Positif	Positif	Positif	Aucune
Négatif	Positif	Positif	C1q, C1r, C1s
Positif	Positif	Négatif	Properdin, Factor B,D
Positif	Négatif	Positif	MBL, MASP2
Négatif	Négatif	Négatif	C3, C5,C6,C7,C8,C9
Négatif	Négatif	Positif	C4, C2 ou combinaison

Performances du dosage

120 sérums provenant de donneurs de sang ont été dosés au cours de trois séries et l'intervalle des valeurs normales a été calculé. Les valeurs étaient exprimées en % du contrôle positif. Voir Figure 1 et Tableau 1. Dans le dosage de la voie classique (CP) aucun donneur n'était en dessous de 40 %. Dans le dosage de la voie MBL (MP) 23 échantillons étaient en dessous de 10 % et avaient des valeurs MBL (déterminé dans un autre dosage) inférieures à 500 ng/ml. Dans le dosage de la voie alternative (AP) aucun donneur n'était en dessous de 10 %. Veuillez noter ce véritable MP déficient, c'est à dire une activité de <10%, peut être trouvée dans une population normale à une fréquence de 20-30%.

Figure 1.

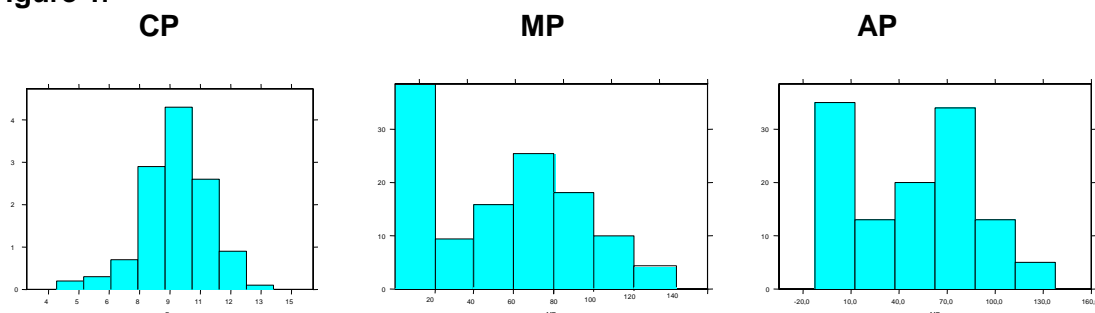


Tableau 1.

	n	Moyenne (%)	±2SD (%)	Médiane (%)
Voie Classique (CP)	120	99	69-129	100
Voie MBL (MP)	120	49	0-125	56
Voie Alternative (AP)	120	71	30-113	73

Tableau 2

Des sérums avec déficience du complément connue ont été dosés et les résultats suivants ont été obtenus. Tous les sérums déficients ont été détectés et ont donné des valeurs inférieures à 5 %.

Déficience	C1q	C2	C3	C4	C5	C6	C7	C8	C9	P	H	I
Nombre de patients	3	11	1	1	2	1	2	2	1	9	1	2
Nombre de sérums déficients détectés	3	11	1	1	2	1	2	2	1	9	1	2

Tableau 3. Précision inter-essai déterminée en dosant trois échantillons en double. Les résultats ont été obtenus au cours de six séries de dosage différentes.

Echantillon	Valeur moyenne %	DS	CV %
CP P1	98	4.3	4
CP P2	92	3.9	4
CP P3	21	1.7	8
MP P1	91	3.3	4
MP P2	37	4.0	11
MP P3	16	2.3	15
AP P1	48	5.1	11
AP P2	89	8.0	9
AP P3	16	3.1	20

Tableau 4. La précision intra-essai a été déterminée sur un échantillon dosé dans 40 puits de la même série de dosage.

Essai	Valeur moyenne%	DS	CV %
CP	85	2.9	3
MP	74	3.9	5
AP	83	5.7	7

Causes d'erreur

Problème	Causes possibles	Solution
Valeurs du contrôle en dehors de l'intervalle	Température, temps d'incubation ou pipetage incorrects; réactifs mal mélangés	Vérifier que le temps et la température d'incubation sont corrects. Refaire le dosage.
	Contamination croisée du contrôle	Pipeter avec soin.
	Trajet optique sale.	Éliminer l'humidité ou les bulles d'air des puits. Nettoyer le fond de la plaque et relire.
	Mauvaise dilution du contrôle positif.	Vérifier le contrôle positif. Dissoudre de nouveau.
	Mélange des plaques ou réactifs d'autres voies. Dilution incorrecte.	Refaire le dosage
Tous les résultats sont négatifs	Un ou plusieurs réactifs pas ajoutés, ou ajoutés dans le mauvais ordre.	Vérifier la procédure. Vérifier les réactifs non utilisés. Refaire le dosage.
	Antigène de la plaque inactif.	Vérifier la présence d'humidité dans les puits non utilisés. Nettoyer le fond de la plaque et relire.
	Sérum inactif.	Diluer de nouveaux échantillons.
	Mélange des plaques ou réactifs d'autres voies.	Refaire le dosage.
Tous les résultats sont jaunes	Tampons ou réactifs contaminés.	Vérifier toutes les solutions pour s'assurer qu'elles ne sont pas troubles.
	Solution de lavage contaminée.	Utiliser un récipient propre. Vérifier la qualité de l'eau utilisée pour préparer la solution.
	Mauvaise dilution du sérum.	Refaire le dosage.
Faible précision	CV de la pipette >5% ou échantillons mal mélangés.	Vérifier la calibration des pipettes. Utiliser une technique reproductible. Éviter les bulles d'air à l'extrémité des pipettes.
	Sérum ou réactifs pas assez mélangés ou non portés à température ambiante..	Mélanger soigneusement tous les réactifs et porter à température ambiante.
	Ajout de réactifs trop lent ; intervalles de temps non reproductibles.	Employer une technique reproductible et utiliser des multipettes ou de distributeurs automatiques pour réduire les délais.
	Trajet optique sale.	Éliminer les bulles d'air des puits. Nettoyer le fond de la plaque et relire.
	Lavage non reproductible, présence de bulles d'air ou de solution de lavage résiduelle dans les puits.	Vérifier que tous les puits sont remplis et aspirés de façon uniforme. Distribuer la solution de manière à dépasser le niveau de réactif dans les puits. Après le dernier lavage, vider les puits en tapotant sur du papier absorbant.

Références:

- Walport M, Complement (First of two parts) N Engl J Med 2001, 344, 1058-1066.
- Walport M, Complement (Second of two parts) N Engl J Med 2001, 344, 1140-1144.
- Roos A, Bouwman, Munoz J et al., Functional characterization of the lectin pathway of complement in human serum. Mol Immunol 2003, 39, 655-668.
- Nordin Fredriksson G, Truedsson L, Sjöholm A. New procedure for detection of complement deficiency by ELISA. J Imm Meth 1993, 166, 263-270.

Explanation of symbols. L'explication de symboles. La explicación de símbolos. Erklärung der Symbole. La spiegazione di simboli. Explicação dos símbolos. Forklaring til symboler. Symbolforklaring. Förklaringar till symboler.

	Batch code. Numéro de lot. Número de lote. Chargen-Nummer. Numero di lotto. Código do lote. Partnummer. Lot nummer. Satsnummer.
	Catalogue number. Référence catalogue. Número de catálogo. Katalog-Nummer. Numero di catalogo. Número catalogo. Katalognummer.
	Use-by date. Date de péremption. Fecha de caducidad. Verfallsdatum. . La data di scadenza. Prazo de validade. Udløbsdato. Utløpsdato. Använd före.
	Temperature limit. Seuils de températures. Rango de temperature. Temperaturbereich. Limitazioni di temperatura. Limite de temperatura. Opbevaringstemperatur. Oppbevares ved. Förvaringstemperatur.
	Biological risk. Risque biologique. Riesgo biológico. Biologische Gefährdung. Rishio biologico. Risco biológico. Biologisk risk.
	Consult instructions for use. Lire le mode d'emploi. Consulte las instrucciones de uso. Gebrauchsanweisung beachten. Leggere le istruzioni per l'uso. Consultar as instruções de utilização. Se brugsanvisning. Se bruksanvisningen. Läs instruktionsmanualen.
	In vitro diagnostic medical device. Dispositif médical de diagnostic in vitro. Producto sanitario para diagnóstico in vitro. In-vitro-Diagnostikum. Dispositivo medico-diagnostico in vitro. Dispositivos médicos para diagnóstico <i>in vitro</i> . In Vitro medisinsk diagnoseutstyr. In vitro diagnostik medicinsk utrustning.
	Warning. Attention. Atención. Achtung. Attenzione. Atenção. Advarsel. Advarsel. Varning.
	Manufacturer. Fabricant. Fabricante. Hersteller. Produttore. Fabricante. Fabrikant. Producent. Produsent. Tillverkare.
	Contains sufficient for 96 tests. Contenu suffisant pour 96 tests. Contenido suficiente para 96 pruebas. Inhalt ausreichend für 96 Tests. Contenuto sufficiente per 96 test. Indeholder tilstrækkelig for 96 test. Inneholder tilstrekkelig for 96 test. Innehåller tillräckligt för 96 test.
	Conformity to 98/79/EC on In Vitro Diagnostic Medical Device Directive. Conformément à la directive européenne 98/79/CE relative aux dispositifs médicaux de diagnostic in vitro. La conformidad con la Directiva 98/79/CE sobre productos sanitarios para diagnóstico in vitro. Konform mit Richtlinie 98/79/EG zu In-vitro-Diagnostika. Conformità alla direttiva 98/79/CE relativa ai dispositivi medico-diagnostici in vitro. Medicinsk utstyr til in vitro-diagnostik, i overensstemmelse med Europa-Parlamentets og Rådets direktiv 98/79/EF. Medisinsk utstyr i samsvar med EU in vitro diagnostic directive 98/79/EF. Överensstämmer med direktiv 98/79/EG för medicintekniska produkter.

Ag	Antigen. Antigène. Antigeno, Antigen. L'antigene. Antígeno. Antigen. Antigen. Antigen.
DIL	Diluent. Diluant. Diluyente. Probenverdünnungspuffer. Il diluente. Diluente. Diluent. Fortynning. Spädningsbuffert.
CONJ	Conjugate. Conjugué. Conjugado. Konjugat. Conjugato. Conjugado. Konjugat. Konjugat.
BUF WASH 30X	Wash solution 30x conc. Solution lavage conc. 30x. Solución de lavado conc. 30x. Waschpuffer 30x konz. Soluzione di lavaggio 30x conc. Solução de lavagem conc. 30 vezes. Vaskebuffert 30x konc. Vaskeløsning 30x kons. Tvättbuffert 30x konc.
SUBS pNPP	Substrate pNPP. pNPP Substrat. Sustrato pNPP. Substrat pNPP. Substrato pNPP. Substrato pNPP. Substrat pNPP.
CONTROL -	Negative control. Contrôle négatif. Control negativo. Negativkontrolle. Controllo negativo. Controllo negativo. Negativ control. Negativ kontroll. Negativ kontroll.
CONTROL + LYO	Lyophilized positive control. Contrôle positif lyophilisé. Control positivo liofilizado. Lyophilisierte Positivkontrolle. Controllo positivo liofilizzato. Controllo positivo liofilizado. Frysetørret positiv kontrol. Lyofilisert positiv kontroll. Frystorkad positiv kontroll.

INSTRUCCIONES DE USO EN VERSIÓN BREVE AL ESPAÑOL

Uso previsto

El kit de detección del complemento total Wieslab® es un inmunoensayo enzimático para la determinación cualitativa de las vías funcionales clásica, lectinas que unen Manano (MBL), y alternativa del complemento en el suero humano. El análisis deben realizarlo técnicos de laboratorio debidamente formados.

PARA USO DIAGNÓSTICO *IN VITRO*

Obtención de muestras

Las muestras de sangre deben obtenerse mediante una técnica de venipunción aséptica y el suero mediante procedimientos estándar. Se recomienda extraer un mínimo de 5 ml de sangre total. Dejar que la sangre se coagule en los tubos de suero, durante 60-65 minutos a temperatura ambiente (20-25 °C). Centrifugar las muestras de sangre y transferir el suero sin células a un tubo limpio. **Los sueros deben manipularse correctamente para evitar la activación del complemento *in vitro*.** Los sueros deben congelarse a una temperatura de -70° C o inferior en tubos sellados herméticamente para un almacenamiento prolongado o para ser transportados en hielo seco. No congelar y descongelar las muestras más de una vez.

Evitar el uso de sueros ictericos, lipidémicos y hemolizados. No se pueden utilizar sueros inactivados por calor. No puede utilizarse plasma.

El National Committee for Clinical Laboratory Standards (NCCLS) proporciona recomendaciones para el almacenamiento de muestras de sangre, (Procedimientos para la manipulación y el procesado de muestras de sangre – Normativa aprobada, H18A, 1990).

Advertencias y precauciones

- Los componentes del suero humano utilizados en la preparación de los controles del kit dieron negativo en los análisis de detección de anticuerpos contra el virus de la inmunodeficiencia humana 1 y 2 (VIH 1 y 2), la hepatitis C (VHC) y el antígeno de superficie de la hepatitis B mediante los métodos aprobados por la FDA. Como ningún método de ensayo puede asegurar totalmente la ausencia de VIH, VHC, VHB u otros agentes infecciosos, las muestras y los reactivos de origen humano deben manipularse como posibles agentes transmisores de infecciones.

- Los centros de control y prevención de enfermedades y los institutos nacionales de sanidad (de EE.UU.) recomiendan que los agentes potencialmente infecciosos se manipulen según el nivel 2 de bioseguridad.

- Todas las soluciones contienen ProClin 300 como conservante. No se debe pipetear nunca aspirando con la boca ni dejar que los reactivos o las muestras de paciente entren en contacto con la piel. Los reactivos que contienen ProClin pueden causar irritación. Debe evitarse el contacto con la piel y los ojos. En caso de contacto, lavar la zona afectada con agua abundante.

- Pueden solicitarse a Euro Diagnostica las hojas de datos de seguridad del material para todos los componentes peligrosos contenidos en este kit.



BUF	WASH	30X
DIL		
CONJ		

CONTROL	-
SUBS	pNPP

Atención

Contiene ProClin 300:

Masa de reacción de: 5-chloro-2-methyl-4-isothiazolin-3-one [EC no. 247-500-7] and 2-methyl-4-isothiazolin-3-one [EC no. 220-239-6] (3:1)

- H317: Puede provocar una reacción alérgica en la piel.
 P264: Lávese bien las manos después de manipular.
 P280: Llevar guantes/prendas/gafas/máscara de protección.
 P302+352: EN CASO DE CONTACTO CON LA PIEL: Lavar con agua y jabón abundantes.
 P333+313: En caso de irritación o erupción cutánea: Consultar a un médico.

Materiales o equipos necesarios no suministrados

- Lector de microplacas con un filtro de 405 nm
- Pipetas de precisión con puntas desechables
- Unidad de lavado para tiras, tejido absorbente, tubos y un temporizador

Componentes del kit y almacenamiento de reactivos

- Un soporte con pocillos individualizables (4x8x3) sellado en un envase de aluminio con una bolsita con desecante. Cuatro tiras de color azul para la vía clásica (CP) recubiertas de IgM humana. Cuatro tiras de color verde para la vía de MBL (MP) recubiertas de manano. Cuatro tiras de color rojo para la vía alternativa (AP) recubiertas de lipopolisacárido (LPS).
- 10 ml de diluyente para vía clásica (Dil CP), marcado en azul
- 10 ml de diluyente para vía de lectinas (Dil MP), marcado en verde
- 10 ml de diluyente para vía alternativa (Dil AP), marcado en rojo
- 13 ml de conjugado con anticuerpos anti-C5b-9 marcados con fosfatasa alcalina (color azul)
- 13 ml de solución de sustrato lista para usar
- 30 ml de solución de lavado concentrada 30x
- 0,2 ml de control negativo (NC) con suero humano (que debe diluirse igual que una muestra de suero de paciente)
- 0,2 ml de control positivo (PC) con suero humano liofilizado (véase más abajo el apartado "Reconstitución del control positivo")

Todos los reactivos del kit están listos para su uso excepto la solución de lavado y los controles. Los reactivos deben almacenarse a una temperatura de 2-8 ° C, a excepción del control positivo.

El control positivo debe almacenarse a una temperatura de -20° C.

PROCEDIMIENTO

Extraer únicamente el número de pocillos necesarios para el análisis y volver a sellar cuidadosamente el envase de aluminio. Dejar que todas las soluciones alcancen la temperatura ambiente (20-25° C) antes del análisis.

Preparación de la solución de lavado

Si observa cristales de sal en el frasco con solución de lavado concentrada, coloque el frasco en un baño de agua a 37 °C hasta que los cristales se hayan disuelto, antes de la dilución de la solución de lavado. Diluir 30 ml de la solución de lavado concentrada 30x en 870 ml de agua destilada. Si se almacena a 2-8° C, la solución de lavado diluida es estable hasta la fecha de caducidad que figura en el kit.

Reconstitución del control positivo

Dar unos suaves golpecitos en la parte inferior del vial para que descienda todo el material liofilizado y a continuación, quitar el tapón. Añadir inmediatamente 200 µl de agua destilada directamente al material liofilizado. Volver a colocar el tapón. Dejar reposar el vial en hielo durante 5 minutos y, a continuación, agitar con cuidado manualmente o mediante un vórtex de vez en cuando hasta que se haya disuelto por completo. Diluir el control reconstituido del mismo modo que una muestra de suero de paciente. El control reconstituido puede almacenarse durante 4 horas antes de su uso si se conserva a una temperatura de entre 2 y 8° C o en hielo. Puede congelarse (-70° C) y descongelarse una vez.

Suero

Descongelar parcialmente los sueros congelados; para ello, colocarlos brevemente en baño de agua a 37° C y mezclar con cuidado. Tras descongelar parcialmente, colocar de inmediato los tubos en un baño de hielo y dejarlos en el hielo hasta que se descongelen por completo. Agitar brevemente en un mezclador vórtex.

Dilución del suero

Vía clásica (CP): Diluir el suero en 1/101 con diluyente para CP, marcado en azul, (500 µl de diluyente + 5 µl de suero). El suero diluido puede permanecer a temperatura ambiente durante un máximo de 60 minutos antes del análisis.

Vía de MBL (MP): Diluir el suero en 1/101 con diluyente para MP, marcado en verde, (500 µl de diluyente + 5 µl de suero). El suero diluido debe permanecer a temperatura ambiente durante >15 minutos antes del análisis, pero no durante más de 60 minutos.

Vía alternativa (AP): Diluir el suero en 1/18 con diluyente para AP, marcado en rojo, (340 µl de diluyente + 20 µl de suero). El suero diluido puede permanecer a temperatura ambiente durante un máximo de 60 minutos antes del análisis.

Incubación de las muestras

Verter con pipeta 100 µl/pocillo por duplicado de diluyente (Dil) como blanco, control positivo (PC), control negativo (NC) y suero de paciente diluido (P) para cada vía, tal como se indica en el diagrama. Incubar tapado durante 60-70 minutos a +37° C.

Tenga en cuenta que no se deben realizar incubaciones en atmósferas con CO₂. Si utiliza una cámara de CO₂, no olvide desconectar o cerrar el suministro de CO₂.

	Vía Clásica				Vía MBL				Vía Alternativa			
	1	2	3	4	5	6	7	8	9	10	11	12
A	Dil CP	P2			Dil MP	P2			Dil AP	P2		
B	Dil CP	P2			Dil MP	P2			Dil AP	P2		
C	PC	etc			PC	etc			PC	etc		
D	PC				PC				PC			
E	NC				NC				NC			
F	NC				NC				NC			
G	P1				P1				P1			
H	P1				P1				P1			

Tras la incubación del suero

Vaciar los pocillos y lavar 3 veces con 300 µl de solución de lavado, llenando y vaciando los pocillos cada vez. Tras el último lavado, vaciar los pocillos dando unos ligeros golpecitos con la tira sobre un tejido absorbente.

Adición de conjugado

Añadir 100 µl de conjugado a cada pocillo. Incubar durante 30 minutos a temperatura ambiente (+20-25° C).

Tras la incubación del conjugado

Lavar 3 veces de la misma forma que se ha hecho anteriormente.

Adición de solución de sustrato

Añadir 100 µl de solución de sustrato a cada pocillo e incubar durante 30 minutos a temperatura ambiente (+20-25° C). Leer la absorbancia a 405 nm en un lector de microplacas. (Se pueden utilizar 5 mm de EDTA como solución de parada, 100 µl/pocillo. Leer la absorbancia de los pocillos antes de transcurridos 60 minutos.)

Cálculo del resultado

Restar la absorbancia del blanco (diluyente) (de cada vía) del control negativo, del control positivo y de las muestras. La absorbancia del control positivo debe ser > 1 y la absorbancia del control negativo debe ser < 0,2.

Los controles positivo y negativo pueden ser utilizados en modo semicuantitativo para calcular la actividad de complemento. Calcular los valores medios a DO 405 de duplicados de muestra, PC y NC y calcular el % de actividad de complemento mediante la siguiente fórmula: (Muestra-NC)/(PC-NC) x 100. Los controles negativo y positivo tienen como objetivo controlar el fallo sustancial del reactivo. El control positivo no garantiza la precisión en el valor de corte del ensayo. Se recomienda que cada laboratorio establezca sus propios niveles de referencia y valores de corte para deficiencias.

Limitaciones

El nivel de complemento de un paciente individual no se puede utilizar para determinar la gravedad de la enfermedad, puesto que puede variar entre pacientes. Por consiguiente, es difícil obtener una estandarización absoluta de los resultados.

El ensayo por sí solo no debe tomarse como única base para decisiones relacionadas con el tratamiento clínico, sino que debe utilizarse en combinación con síntomas clínicos y resultados de otros ensayos disponibles. No debe iniciarse el tratamiento basándose en el resultado del análisis del complemento. El inicio del tratamiento, o los cambios en el mismo, no deben fundamentarse únicamente en los cambios

de los niveles del complemento, sino en una observación clínica minuciosa. **Un resultado negativo, esto es, deficiencia, debe comprobarse siempre en una nueva muestra para asegurarse de que no ha habido activación "in vitro" del complemento.**

References

- Walport M, Complement (First of two parts) N Engl J Med 2001, 344, 1058-1066.
- Walport M, Complement (Second of two parts) N Engl J Med 2001, 344, 1140-1144.
- Roos A, Bouwman L, Munoz J et al. , Functional characterization of the lectin pathway of complement in human serum. Mol Immunol 2003, 39, 655-668.
- Nordin Fredriksson G, Truedsson L, Sjöholm A. New procedure for detection of complement deficiency by ELISA. J Imm Meth 1993, 166, 263-270.

Explanation of symbols. L'explication de symboles. La explicación de símbolos. Erklärung der Symbole. La spiegazione di simboli. Explicação dos símbolos. Forklaring til symboler. Symbolforklaring. Förklaringar till symboler.

	Batch code. Numéro de lot. Número de lote. Chargen-Nummer. Numero di lotto. Código do lote. Partnummer. Lot nummer. Satsnummer.
	Catalogue number. Référence catalogue. Número de catálogo. Katalog-Nummer. Numero di catalogo. Número catalogo. Katalognummer.
	Use-by date. Date de péremption. Fecha de caducidad. Verfallsdatum. . La data di scadenza. Prazo de validade. Udløbsdato. Utløpsdato. Använd före.
	Temperature limit. Seuils de températures. Rango de temperature. Temperaturbereich. Limitazioni di temperatura. Limite de temperatura. Opbevaringstemperatur. Oppbevares ved. Förvaringstemperatur.
	Biological risk. Risque biologique. Riesgo biológico. Biologische Gefährdung. Rishio biologico. Risco biológico. Biologisk risk.
	Consult instructions for use. Lire le mode d'emploi. Consulte las instrucciones de uso. Gebrauchsanweisung beachten. Leggere le istruzioni per l'uso. Consultar as instruções de utilização. Se brugsanvisning. Se bruksanvisningen. Läs instruktionsmanualen.
	In vitro diagnostic medical device. Dispositif médical de diagnostic in vitro. Producto sanitario para diagnóstico in vitro. In-vitro-Diagnostikum. Dispositivo medico-diagnostico in vitro. Dispositivos médicos para diagnóstico <i>in vitro</i> . In Vitro medisinsk diagnoseutstyr. In vitro diagnostik medicinsk utrustning.
	Warning. Attention. Atención. Achtung. Attenzione. Atenção. Advarsel. Advarsel. Varning.
	Manufacturer. Fabricant. Fabricante. Hersteller. Produttore. Fabricante. Fabrikant. Producent. Produsent. Tillverkare.
	Contains sufficient for 96 tests. Contenu suffisant pour 96 tests. Contenido suficiente para 96 pruebas. Inhalt ausreichend für 96 Tests. Contenuto sufficiente per 96 test. Inneholder tilstrækkelig for 96 test. Inneholder tilstrekkelig for 96 test. Innehåller tillräckligt för 96 test.
	Conformity to 98/79/EC on In Vitro Diagnostic Medical Device Directive. Conformément à la directive européenne 98/79/CE relative aux dispositifs médicaux de diagnostic in vitro. La conformidad con la Directiva 98/79/CE sobre productos sanitarios para diagnóstico in vitro. Konform mit Richtlinie 98/79/EG zu In-vitro-Diagnostika. Conformità alla direttiva 98/79/CE relativa ai dispositivi medico-diagnostici in vitro. Medicinsk utstyr til in vitro-diagnostik, i overensstemmelse med Europa-Parlamentets og Rådets direktiv 98/79/EF. Medisinsk utstyr i samsvar med EU in vitro diagnostic directive 98/79/EF. Överensstämmer med direktiv 98/79/EG för medicintekniska produkter.

Ag	Antigen. Antigène. Antigeno, Antigen. L'antigene. Antígeno. Antigen. Antigen. Antigen.
DIL	Diluent. Diluant. Diluyente. Probenverdünnungspuffer. Il diluente. Diluente. Diluent. Fortynning. Spädningsbuffert.
CONJ	Conjugate. Conjugué. Conjugado. Konjugat. Conjugato. Conjugado. Konjugat. Konjugat.
BUF WASH 30X	Wash solution 30x conc. Solution lavage conc. 30x. Solución de lavado conc. 30x. Waschpuffer 30x konz. Soluzione di lavaggio 30x conc. Solução de lavagem conc. 30 vezes. Vaskebuffert 30x konc. Vaskeløsning 30x kons. Tvättbuffert 30x konc.
SUBS pNPP	Substrate pNPP. pNPP Substrat. Sustrato pNPP. Substrat pNPP. Substrato pNPP. Substrato pNPP. Substrat pNPP.
CONTROL -	Negative control. Contrôle négatif. Control negativo. Negativkontrolle. Controllo negativo. Controllo negativo. Negativ control. Negativ kontroll. Negativ kontroll.
CONTROL + LYO	Lyophilized positive control. Contrôle positif lyophilisé. Control positivo liofilizado. Lyophilisierte Positivkontrolle. Controllo positivo liofilizzato. Controllo positivo liofilizado. Frysetørret positiv kontrol. Lyofilisert positiv kontroll. Frystorkad positiv kontroll.

GEBRAUCHSANWEISUNG IN DEUTSCH

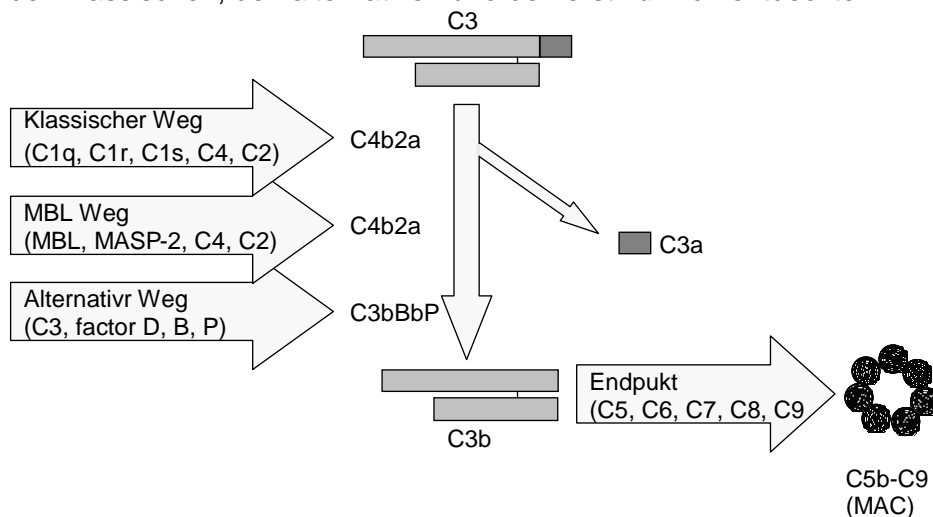
VERWENDUNGSZWECK

Der Wieslab® Komplementsystem Screeningkit ist ein Enzymimmunoassay für die qualitative Bestimmung der funktionellen Komplementaktivierungswege (klassisch, MBL und alternativ) im menschlichen Serum.

NUR ZUR *IN-VITRO*-DIAGNOSTIK

Zusammenfassung und Erklärung

Das Komplementsystem spielt eine wichtige Rolle bei chronischen und autoimmunvermittelten Erkrankungen sowie bei Infektionen. Es gibt drei Wege der Komplementaktivierung (Abb. 1), nämlich den klassischen, den alternativen und den erst kürzlich entdeckten MBL Weg.



Eine eingeschränkte Komplementaktivität führt im Menschen dazu, daß man empfindlicher auf wiederholte heftige oder schwere Infektionen reagiert und es kann Auswirkungen auf die Entwicklung von Autoimmunerkrankungen haben. Eine nicht adäquate Aktivierung von Komplement führt zu chronischen Entzündungen sowie Gewebeschädigung.

Prinzip des Wieslab® Complement Assay

Der Wieslab® Complement Assay kombiniert das Prinzip des hämolytischen Tests für Komplementaktivierung mit der Verwendung von markierten Antikörpern, die spezifisch sind für ein Neopepitop, das als Resultat der Komplementaktivierung gebildet wird. Die Menge des gebildeten Neopepitops ist proportional zur funktionellen Aktivität des Komplementwegs.

Die Vertiefungen (Wells) der Mikrotiterplatten-Streifen sind beschichtet mit spezifischen Aktivatoren des klassischen, oder des MBL oder des alternativen Wegs. Das Patientenserum wird mit einem speziellen Inhibitor-haltigen Puffer verdünnt, um sicher zu stellen, daß nur der jeweilige zu testende Weg aktiviert wird. Während der Inkubation der verdünnten Patientenseren im Well wird das Komplementsystem durch die spezifische Beschichtung aktiviert.

Die Wells werden dann gewaschen und C5b-9 wird nachgewiesen mittels eines mit alkalischer Phosphatase markierten Antikörpers, der spezifisch das Neopepitop erkennt, welches während der MAC-Formation entsteht.

Nach einem weiteren Waschschrift werden die spezifischen Antikörper mittels einer Substratlösung für die alkalische Phosphatase nachgewiesen. Die Menge an Komplement-Aktivität korreliert mit der Farbintensität und wird anhand einer Absorptionsmessung als optische Dichte (OD) angegeben.

Warnhinweise und Vorsichtsmaßnahmen

- Nur zur *in-vitro*-Diagnostik
- Die in diesem Kit zur Herstellung der Kontrollen verwendeten Humanserumkomponenten wurden auf Antikörper gegen das Humane Immundefizienz-Virus 1 und 2 (HIV 1 und 2), Hepatitis C (HCV) sowie auf Hepatitis B-Oberflächenantigen mit von der FDA genehmigten Verfahren getestet und als negativ befunden. Da generell kein Testverfahren eine vollständige Gewissheit bieten kann, daß HIV, HCV, Hepatitis B-Virus oder andere Infektionserreger nicht vorliegen, sollten Proben und Reagenzien humanen Ursprungs immer als potenziell infektiös behandelt werden.
- Die „Centers for Disease Control and Prevention“ und „National Institutes of Health“ empfehlen, potenziell infektiöse Materialien nach Biosafety Level 2 zu behandeln.
- Alle Lösungen enthalten Proclin 300 als Konservierungsmittel. Niemals mit dem Mund pipettieren oder zulassen, daß Reagenzien bzw. Patientenproben mit der Haut in Berührung kommen. Proclin-haltige Reagenzien können reizend wirken. Kontakt mit Haut und Augen vermeiden. Im Falle eines Kontakts mit viel Wasser spülen.
- Sicherheitsdatenblätter sind für alle in diesem Testkit enthaltenen gefährlichen Bestandteile auf Anfrage von Euro Diagnostica erhältlich.
- Sicherheitsdatenblätter sind für alle in diesem Testkit enthaltenen gefährlichen Bestandteile auf Anfrage von Euro Diagnostica erhältlich.



Achtung

BUF	WASH	30X
DIL		
CONJ		

CONTROL	-
SUBS	pNPP

Enthält ProClin 300:

Reaktionsmasse aus: 5-Chloro-2-methyl-4-isothiazolin-3-on [EC no. 247-500-7] and 2-Methyl-4-isothiazolin-3-on [EC no. 220-239-6] (3:1)

- H317: Kann allergische Hautreaktionen verursachen.
 P264: Nach Gebrauch die Hände gründlich waschen.
 P280: Schutzhandschuhe/Schutzkleidung/Augenschutz/Gesichtsschutz verwenden.
 P302+352: BEI HAUTKONTAKT: Mit sehr viel Seife und Wasser waschen.
 P333+313: Bei Hautreizung oder -ausschlag: Ärztlichen Rat einholen, bzw. Arzt aufsuchen.

Probenentnahme

Blutproben mit einer aseptischen Venenpunktionmethode entnehmen und anhand üblicher Verfahren Serum gewinnen. Es wird mindestens eine Menge von 5 ml Vollblut empfohlen. Das Blut in Serumröhrchen 60-65 Minuten bei Raumtemperatur (20-25 C) gerinnen lassen. Blutproben zentrifugieren und zellfreies Serum in ein sauberes Röhrchen überführen. **Seren müssen vorschriftsgemäß behandelt werden, um eine *in vitro* Komplementaktivierung zu vermeiden.** Für eine längere Lagerung Seren bei -70 °C oder kälter in fest verschlossenen Röhrchen einfrieren oder für den Transport auf Trockeneis lagern. Proben sollten nicht öfter als einmal eingefroren und wieder aufgetaut werden. Möglichst kein ikterisches, lipämisches bzw. hämolytisches Serum verwenden. Hitzeinaktiviertes Serum kann nicht verwendet werden. Kein Plasma verwenden. Das NCCLS hat Empfehlungen zur Lagerung von Blutproben herausgebracht ("Approved Standard-Procedures for the Handling and Processing of Blood Specimens", H18A, 1990).

Kitkomponenten und Lagerung der Reagenzien

- Ein Rahmen mit einzeln abbrechbaren Wells (4x8x3) mit einem Trockenmittelbeutel in einem Folienbeutel eingeschweißt. 4 blaue Streifen für den klassischen Weg (CP), beschichtet mit humanem IgM. 4 grüne Streifen für den MBL-Weg (MP), beschichtet mit Mannan. 4 rote Streifen für den alternativen Weg (AP), beschichtet mit LPS.
- 10 ml Verdünnungspuffer CP (Dil CP), mit blauem Etikett
- 10 ml Verdünnungspuffer MP (Dil MP), mit grünem Etikett
- 10 ml Verdünnungspuffer AP (Dil AP), mit rotem Etikett
- 13 ml Konjugat, enthält mit alkalischer Phosphatase markierte Antikörper gegen C5b-9 (blau).
- 13 ml Substratlösung, gebrauchsfertig.
- 30 ml Waschlösung, 30-fach konzentriert.
- 0,2 ml Negativkontrolle (NC), enthält menschliches Serum (wie Patientenserumprobe verdünnen).
- 0,2 ml Positivkontrolle (PC) mit gefriergetrocknetem Humanserum, siehe "Rekonstitution der Positivkontrolle" weiter unten.

Bis auf die Waschlösung und die Kontrollen sind alle Kitreagenzien gebrauchsfertig. Außer der Positivkontrolle alle Reagenzien bei 2-8 °C lagern. **Die Positivkontrolle muss bei -20 °C gelagert werden.**

Nicht mitgelieferte, aber erforderliche Materialien bzw. Geräte

- Meßgerät für Mikrotiterplatten mit einem Filter für 405 nm.
- Präzisionspipetten mit Einwegspitzen
- Waschgerät für Mikrotiterplatten-Streifen, saugfähige Papiertücher, Röhrchen und ein Kurzzeitwecker

DURCHFÜHRUNG

Nur die Anzahl an Wells aus der Verpackung entnehmen, die zum Testen benötigt werden; anschließend die Aluminiumverpackung wieder sorgfältig verschließen. Vor dem Testansatz alle Lösungen auf Raumtemperatur (20-25 °C) bringen.

Herstellung der Waschlösung

Falls sich in dem Röhrchen mit der konzentrierten Waschlösung Salzkristalle gebildet haben, dieses vor Verdünnung der Waschlösung in ein 37°C warmes Wasserbad stellen, bis sich die Salzkristalle aufgelöst haben. 30 ml der 30-fach konzentrierten Waschlösung mit 870 ml destilliertem Wasser verdünnen. Die verdünnte Waschlösung ist bei einer Lagerung von 2-8 °C bis zum Verfallsdatum des Kits haltbar.

Rekonstitution der Positivkontrolle

Das gesamte lyophilisierte Material sachte auf den Boden des Fläschchens klopfen und den Stopfen entfernen. Sofort 200 µl destilliertes Wasser direkt zum Lyophilisat geben. Mit dem Stopfen wieder verschließen. Das Fläschchen 5 Minuten auf Eis stehen lassen und dann vorsichtig mit der Hand oder dem Vortexmischer mischen bis alles vollständig gelöst ist. Die rekonstituierte Kontrolle wie die Serumprobe eines Patienten verdünnen. Sie kann bis zum Gebrauch bis zu 4 Stunden bei 2-8 °C oder auf Eis aufbewahrt werden und einmal bei -70 °C eingefroren und wieder aufgetaut werden.

Serum

Das Serum zum teilweisen Auftauen kurz in ein 37 °C warmes Wasserbad geben und dabei vorsichtig schwenken. Nach dem teilweisen Auftauen die Röhrchen sofort in ein Eisbad stellen und dort bis zum vollständigen Auftauen auf Eis lassen. Auf einem Vortexmischer kurz mischen.

Serum-Verdünnung

Klassischer Weg (CP): Das Serum 1:101 mit dem Verdünnungspuffer CP (blaues Etikett) verdünnen: 500 µl Verdünnungspuffer + 5 µl Serum. Das verdünnte Serum kann vor dem Testansatz maximal 60 Minuten bei Raumtemperatur stehen gelassen werden.

MBL-Weg (MP): Das Serum 1:101 mit dem Verdünnungspuffer MP (grünes Etikett) verdünnen: 500 µl Verdünnungspuffer + 5 µl Serum. Das verdünnte Serum muß vor dem Testansatz für mindestens 15 Minuten, jedoch nicht länger als 60 Minuten bei Raumtemperatur stehen gelassen werden.

Alternativer Weg (AP): Das Serum 1:18 mit dem Verdünnungspuffer AP (rotes Etikett) verdünnen: 340 µl Verdünnungspuffer + 20 µl Serum. Das verdünnte Serum kann vor dem Testansatz maximal 60 Minuten bei Raumtemperatur stehen gelassen werden.

Inkubation der Proben

Für jeden Aktivierungsweg laut Tabellenschema unten in Doppelbestimmungen jeweils 100 µl proWell Verdünnungspuffer (Dil) als Leerwert, Positivkontrolle (PC), Negativkontrolle (NC) und verdünntes Patientenserum (P) pipettieren. Abgedeckt für 60-70 Minuten bei +37 °C inkubieren.

Achtung: Keine Inkubation unter CO₂-Atmosphäre durchführen. Falls ein CO₂-Brutschrank benutzt wird, muss die CO₂-Zufuhr abgeschaltet sein.

	Klassischer Weg				MBL-Weg				Alternativer Weg			
	1	2	3	4	5	6	7	8	9	10	11	12
A	Dil CP	P2			Dil MP	P2			Dil AP	P2		
B	Dil CP	P2			Dil MP	P2			Dil AP	P2		
C	PC	usw.			PC	usw.			PK	usw.		
D	PC				PC				PK			
E	NC				NC				NK			
F	NC				NC				NK			
G	P1				P1				P1			
H	P1				P1				P1			

NACH DER SERUMINKUBATION

Alle Wells ausleeren und dreimal mit 300 µl Waschlösung waschen; dazu die Wells jedes Mal befüllen und dekantieren. Nach dem letzten Waschen die Wells durch Klopfen des Streifens auf saugfähigen Zellstoff sorgfältig ausleeren.

Konjugat hinzufügen

In jedes Well 100 µl Konjugat pipettieren. 30 Minuten bei Raumtemperatur (+20-25 °C) inkubieren.

Nach der Konjugatinkubation

Wie oben angegeben dreimal waschen.

Substratlösung hinzufügen

In jedes Well 100 µl Substrat pipettieren. 30 Minuten bei Raumtemperatur (+20-25 °C) inkubieren. Die optische Dichte bei 405 nm mit einem Mikrotiterplatten-Reader messen. (Als Stopplösung kann eine 5 mM EDTA Lösung verwendet werden, 100 µl/Well. Die Messung der optischen Dichte der Wells innerhalb von 60 Minuten durchführen).

Berechnung der Ergebnisse

Die optische Dichte des Leerwerts (Verdünnungspuffer) von der NC, PC und den Proben (für jeden Weg) abziehen. Die optische Dichte der Positivkontrolle sollte >1 und die der Negativkontrolle < 0,2 sein. Die Negativ- und die Positivkontrolle können für eine semi-quantitative Auswertung der Komplementaktivität verwendet werden. Die Mittelwerte der OD 405nm für die Probe, die PC und die NC berechnen und dann den Prozentsatz der Komplementaktivität wie folgt ermitteln: $(\text{Probe} - \text{NC}) / (\text{PC} - \text{NC}) \times 100$. Die Negativ- und die Positivkontrolle dienen zur Überwachung von möglichen, relevanten Mängeln der Reagenzien. Die Positivkontrolle ist nicht zur Überprüfung der Präzision am Cut-off-Bereich geeignet. Es wird empfohlen, dass jedes Labor seine eigenen Referenz- und Cut-off-Werte für Komplement-Defekte festlegt.

Ein negatives Ergebnis (d.h. Defekt) muß immer durch Nachtestung mit einer neuen Probe bestätigt werden, um zu gewährleisten, daß keine *in-vitro*-Komplementaktivierung stattgefunden hat.

Einschränkungen

Der individuelle Komplementspiegel eines Patienten kann nicht als Maßstab für die Schwere der Erkrankung verwendet werden, da er von Patient zu Patient variieren kann. Daher ist es schwierig, eine absolute Standardisierung der Ergebnisse zu erhalten.

Dieser Test sollte nicht als alleinige Grundlage für klinische Therapie-Entscheidungen dienen, sondern sollte immer zusammen mit klinischen Symptomen und Ergebnissen anderer verfügbarer Tests eingesetzt werden. Auf der Grundlage des Komplement-Testergebnisses sollte keine Therapie begonnen werden. Eine Behandlung sollte nicht auf alleiniger Basis von Veränderungen in den Komplementspiegeln begonnen oder geändert werden, sondern eher aufgrund sorgfältiger klinischer Beobachtung erfolgen.

Erwartete Ergebnisse

Die *in-vitro* Aktivierung der Komplementkaskade führt zu einem Verbrauch von Komplementkomponenten, was wiederum zur Abnahme deren Konzentrationen führt. Somit wird die Bestimmung der Komplement-Proteine oder der Komplementaktivität dazu benutzt, um einen Anhalt dafür zu bekommen, ob das Komplementsystem durch einen immunologischen oder/und pathologischen Mechanismus aktiviert wurde. Beide, funktionelle und immunochemische Komplement-Messungen werden verwendet, wenn bei Patienten der Verdacht auf eine Komplement-aktivierende Erkrankung oder auf einen vererbten Defekt besteht. Die Spiegel der Komplementaktivität, wie sie mit funktionellen Tests wie z.B. mit dem Wieslab® Complement Kit erhalten werden, berücksichtigen auch die Syntheserate, den Abbau und den Verbrauch von Komponenten, und stellen somit zusätzlich eine Aussage über die Integrität der Aktivierungswege zur Verfügung - im Gegensatz zu immunochemischen Methoden, die nur spezifische Konzentrationen der verschiedenen Komplementkomponenten messen. Wenn erniedrigte Spiegel von Komplementkomponenten oder der Komplementfunktion gefunden werden, wird von Klinikern entweder eine Defizienz oder ein andauernder immunologischer Prozeß vermutet, der zu einem erhöhten Zerfall von Komponenten und damit zur Erniedrigung des Komplementspiegels führt. Erhöhte Komplementspiegel sind normalerweise eine unspezifische Auswirkung der Akute-Phase-Reaktion. Die Kombination der drei Wieslab® Komplement-Assays kann wie folgt für die Bestimmung von Komplement-Defekten hilfreich sein (siehe nachfolgende Tabelle):

Klassischer Weg (CP)	MBL-Weg (MP)	Alternativer Weg (AP)	Mögliche Defekte
Positiv	Positiv	Positiv	Keiner
Negativ	Positiv	Positiv	C1q, C1r, C1s
Positiv	Positiv	Negativ	Properdin, Faktor B, D
Positiv	Negativ	Positiv	MBL, MASP2
Negativ	Negativ	Negativ	C3, C5, C6, C7, C8, C9
Negativ	Negativ	Positiv	C4, C2 oder Kombination

Test-Charakteristika

120 Seren von Blutspendern wurden in den drei Assays getestet und die Normbereiche ermittelt. Die Werte werden in % der Positiv-Kontrolle angegeben (siehe Abbildung 1 und Tabelle 1). Im CP-Assay lag kein Blutspender unter 40 %. Im MP-Assay hatten 23 Proben Werte unter 10 % und deren MBL-Werte (in einem separaten Test ermittelt) lagen unter 500 ng/ml; im AP-Assay lag kein Blutspender unter 10 %. Bitte beachten, daß echte Defekte im MBL-Weg, d.h. z.B. eine Aktivität von <10%, in einer Normalpopulation mit einer Häufigkeit von 20-30% gefunden werden können.

Abbildung 1.

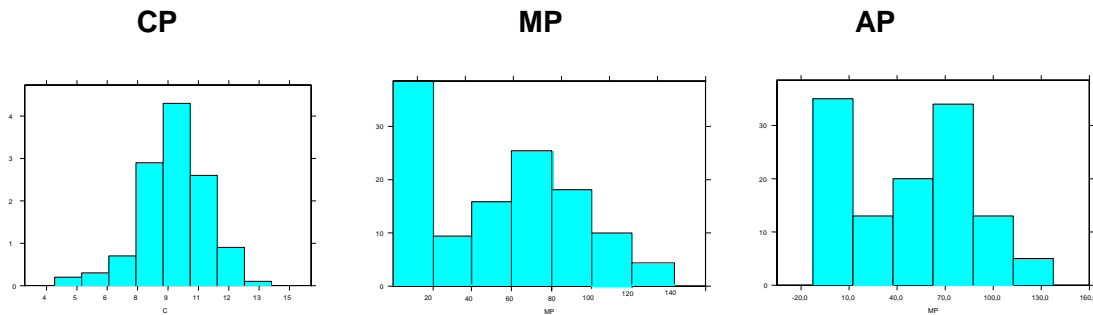


Tabelle 1.

	n	Mittelwert (%)	±2 SD (%)	Median (%)
Klassischer Weg	120	99	69-129	100
MBL-Weg	120	49	0-125	56
Alternativer Weg	120	71	30-113	73

Tabelle 2

Seren mit bekannten Komplement-Defekten wurden in den Assays getestet und folgende Ergebnisse erzielt. Alle defizienten Seren wurden in den Tests gefunden und ergaben Werte unter 5%.

Defekt	C1q	C2	C3	C4	C5	C6	C7	C8	C9	P	H	I
Anzahl an Patienten	3	11	1	1	2	1	2	2	1	9	1	2
Anzahl der gefundenen defizienten Seren	3	11	1	1	2	1	2	2	1	9	1	2

Tabelle 3. Die Interassay-Präzision wurde mittels dreier Seren in Doppelbestimmungen durchgeführt. Die Ergebnisse wurden aus sechs verschiedenen Testansätzen ermittelt.

Probe	Mittelwert %	SD	VK %
CP P1	98	4,3	4
CP P2	92	3,9	4
CP P3	21	1,7	8
MP P1	91	3,3	4
MP P2	37	4,0	11
MP P3	16	2,3	15
AP P1	48	5,1	11
AP P2	89	8,0	9
AP P3	16	3,1	20

Tabelle 4. Die Intraassay-Präzision wurde mit einer Probe in 40-fach Bestimmung ermittelt.

Assay	Mittelwert %	SD	VK %
CP	85	2,9	3
MP	74	3,9	5
AP	83	5,7	7

Fehlersuche

Problem	Mögliche Ursachen	Lösung
Kontroll-Werte außerhalb des angegebenen Bereichs	Fehler bei Temperatur, Inkubationszeiten oder Pipettierung, Reagenzien wurden nicht gemischt	Zeitangaben und korrekte Temperatur überprüfen. Testansatz wiederholen.
	Kreuzkontamination der Kontrollen	Vorsichtig pipettieren
	Optische Messung nicht in Ordnung	Wells auf Verschmutzung oder Luftblasen überprüfen. Plattenboden abwischen und nochmals messen.
	Positivkontrolle wurde nicht korrekt aufgelöst	Die Positivkontrolle überprüfen und eine neue Kontrolle auflösen.
	Verwechslung von Platte oder Reagenzien mit denen eines anderen Pfades. Ungenaue Verdünnung.	Test wiederholen.
Alle Testergebnisse sind negativ	Ein oder mehrere Reagenzien wurden nicht oder zum falschen Zeitpunkt zugegeben.	Prozedur nochmals überprüfen. Auf nicht-verwendete Reagenzien hin prüfen. Testansatz wiederholen.
	Antigenbeschichtete Platte inaktiv.	Unbenutzte Wells auf Feuchtigkeit hin untersuchen. Plattenboden abwischen und nochmals messen.
	Serum inaktiv.	Neue Proben verdünnen.
	Verwechslung von Platte oder Reagenzien mit denen eines anderen Pfades.	Test wiederholen
Alle Testergebnisse sind gelb (positiv)	Kontaminierte Puffer oder Reagenzien.	Alle Lösungen auf Trübungen hin überprüfen.
	Waschlösung kontaminiert.	Saubere Behälter verwenden. Qualität des zur Herstellung verwendeten Wassers überprüfen.
	Nicht ordnungsgemäße Serenverdünnung.	Test wiederholen
Schlechte Präzision.	Pipette liefert VK's von >5 % oder die Proben wurden nicht gemischt.	Pipetten-Kalibrierung überprüfen. Reproduzierbare Technik verwenden. Luftblasen in der Pipettenspitze vermeiden.
	Serum oder Reagenzien wurden nicht genügend gemischt oder waren nicht auf Raumtemperatur.	Alle Reagenzien gründlich, aber vorsichtig mischen und auf Raumtemperatur bringen.
	Die Reagenzienzugabe dauert zu lange, Ungleichmäßigkeit der Zeitintervalle	Einheitliche Technik entwickeln und eine Multipette bzw. Autodispenser verwenden, um die Zeitspannen zu verkürzen.
	Optische Messung nicht in Ordnung	Wells auf Verschmutzung oder Luftblasen überprüfen. Plattenboden abwischen und nochmals messen.
	Der Waschvorgang wird nicht gleichmäßig durchgeführt, Luftblasen oder Waschlösung bleiben in den Wells zurück.	Überprüfen, ob alle Vertiefungen gleichmäßig gefüllt und abgesaugt werden. Flüssigkeit über den Füllstand der Reagenzien hinaus zugeben. Nach dem letzten Waschschrift die Wells durch Ausklopfen auf ein saugfähiges Papier vollständig entleeren.

Literatur:

Walport M, Complement (First of two parts) N Engl J Med 2001, 344, 1058-1066.

Walport M, Complement (Second of two parts) N Engl J Med 2001, 344, 1140-1144.

Roos A, Bouwman L, Munoz J et al., Functional characterization of the lectin pathway of complement in human serum. Mol Immunol 2003, 39, 655-668.

Nordin Fredriksson G, Truedsson L, Sjöholm A. New procedure for detection of complement deficiency by ELISA. J Imm Meth 1993, 166, 263-270.

M.A. Seelen et al, Functional analysis of the classical, alternative and MBL pathways of the complement system: standardization and validation of a simple ELISA. J Imm Meth 2005, 296,187-198.

Explanation of symbols. L'explication de symboles. La explicación de símbolos. Erklärung der Symbole. La spiegazione di simboli. Explicação dos símbolos. Forklaring til symboler. Symbolforklaring. Förklaringar till symboler.

	Batch code. Numéro de lot. Número de lote. Chargennummer. Numero di lotto. Código do lote. Partnummer. Lot nummer. Satsnummer.
	Catalogue number. Référence catalogue. Número de catálogo. Bestellnummer. Numero di catalogo. Número catalogo. Katalognummer.
	Use-by date. Date de péremption. Fecha de caducidad. Verfallsdatum. . La data di scadenza. Prazo de validade. Udløbsdato. Utløpsdato. Använd före.
	Temperature limit. Seuils de températures. Rango de temperature. Temperaturbereich. Limitazioni di temperatura. Limite de temperatura. Opbevaringstemperatur. Oppbevares ved. Förvaringstemperatur.
	Biological risk. Risque biologique. Riesgo biológico. Biologische Gefährdung. Rishio biologico. Risco biológico. Biologisk risk.
	Consult instructions for use. Lire le mode d'emploi. Consulte las instrucciones de uso. Gebrauchsanweisung beachten. Leggere le istruzioni per l'uso. Consultar as instruções de utilização. Se brugsanvisning. Se bruksanvisningen. Läs instruktionsmanualen.
	In vitro diagnostic medical device. Dispositif médical de diagnostic in vitro. Producto sanitario para diagnóstico in vitro. In-vitro-Diagnostikum. Dispositivo medico-diagnostico in vitro. Dispositivos médicos para diagnóstico <i>in vitro</i> . In Vitro medisinsk diagnoseutstyr. In vitro diagnostik medicinsk utrustning.
	Warning. Attention. Atención. Achtung. Attenzione. Atenção. Advarsel. Advarsel. Varning.
	Manufacturer. Fabricant. Fabricante. Hersteller. Produttore. Fabricante. Fabrikant. Producent. Produsent. Tillverkare.
	Contains sufficient for 96 tests. Contenu suffisant pour 96 tests. Contenido suficiente para 96 pruebas. Inhalt ausreichend für 96 Tests. Contenuto sufficiente per 96 test. Inneholder tilstrækkelig for 96 test. Inneholder tilstrekkelig for 96 test. Innehåller tillräckligt för 96 test.
	Conformity to 98/79/EC on In Vitro Diagnostic Medical Device Directive. Conformément à la directive européenne 98/79/CE relative aux dispositifs médicaux de diagnostic in vitro. La conformidad con la Directiva 98/79/CE sobre productos sanitarios para diagnóstico in vitro. Konform mit Richtlinie 98/79/EG zu In-vitro-Diagnostika. Conformità alla direttiva 98/79/CE relativa ai dispositivi medico-diagnostici in vitro. Medicinsk utstyr til in vitro-diagnostik, i overensstemmelse med Europa-Parlamentets og Rådets direktiv 98/79/EF. Medisinsk utstyr i samsvar med EU in vitro diagnostic directive 98/79/EF. Överensstämmer med direktiv 98/79/EG för medicintekniska produkter.

Ag	Antigen. Antigène. Antigeno, Antigen. L'antigene. Antígeno. Antigen. Antigen. Antigen.
DIL	Diluent. Diluant. Diluyente. Probenverdünnungspuffer. Il diluente. Diluente. Diluent. Fortynning. Spädningsbuffert.
CONJ	Conjugate. Conjugué. Conjugado. Konjugat. Conjugato. Conjugado. Konjugat. Konjugat.
BUF WASH 30X	Wash solution 30x conc. Solution lavage conc. 30x. Solución de lavado conc. 30x. Waschpuffer 30x konz. Soluzione di lavaggio 30x conc. Solução de lavagem conc. 30 vezes. Vaskebuffert 30x konc. Vaskeløsning 30x kons. Tvättbuffert 30x konc.
SUBS pNPP	Substrate pNPP. pNPP Substrat. Sustrato pNPP. Substrat pNPP. Substrato pNPP. Substrato pNPP. Substrat pNPP.
CONTROL -	Negative control. Contrôle négatif. Control negativo. Negativkontrolle. Controllo negativo. Controllo negativo. Negativ control. Negativ kontroll. Negativ kontroll.
CONTROL + LYO	Lyophilized positive control. Contrôle positif lyophilisé. Control positivo liofilizado. Lyophilisierte Positivkontrolle. Controllo positivo liofilizzato. Controllo positivo liofilizado. Frysetørret positiv kontrol. Lyofilisert positiv kontroll. Frystorkad positiv kontroll.

ISTRUZIONI D'USO ABBREVIATE**Usò previsto**

Il kit Wieslab® Complement è un saggio immunoenzimatico per la determinazione qualitativa delle proteine del complemento della via classica, della via lectina legante il mannosio (MBL) e della via alternativa, presenti nel siero umano. Questo tipo di analisi deve essere condotta da personale esperto in tecniche di laboratorio.

PER USO DIAGNOSTICO *IN VITRO*

Raccolta campioni

I campioni di sangue devono essere prelevati asetticamente con prelievo venoso, allo stesso modo dei sieri, seguendo le procedure standard. Si raccomanda di prelevare un minimo di 5 ml di sangue intero. Il sangue deve coagulare in provette da siero, per 60-65 minuti a temperatura ambiente (20-25° C). Centrifugare il sangue, e poi trasferire il siero privato della parte corpuscolata in una nuova provetta. **I sieri devono essere trattati adeguatamente per prevenire in vitro l'attivazione del complemento.** Devono essere conservati a -70° C o a temperatura più bassa in provette adeguatamente sigillate per conservazione prolungata o per trasporto in ghiaccio secco. I campioni non devono essere congelati e scongelati più di una volta. Evitare di usare sieri provenienti da pazienti con ittero, iperlipemia o emolizzati. Non possono essere usati sieri inattivati dal calore. Il plasma non può essere utilizzato. La NCCLS (Global Consensus Standardization for Health Technologies) fornisce raccomandazioni su come conservare i campioni di sangue (Procedure Standard Approvate per la Manipolazione ed il Processamento dei Campioni di Sangue, H18A, 1990).

Avvertenze e precauzioni

I componenti del siero umano, usati per preparare i controlli del kit, sono stati testati per la presenza di anticorpi relativi ai virus da immunodeficienza umana 1&2 (HIV1&2), al virus da epatite C (HCV), e all'antigene di superficie del virus da epatite B (HBV) secondo metodi approvati dalla FDA e trovati ad essi negativi. Poiché nessun test può escludere in maniera assoluta la presenza di HIV, HCV, e HBV e di altri agenti infettivi, i campioni e tutti i reagenti da essi derivati devono essere maneggiati con cura in quanto possibile fonte di trasmissione di patologie infettive. I Centri per il controllo e la prevenzione delle malattie e l'Istituto nazionale della sanità raccomandano di trattare gli agenti potenzialmente infetti secondo il Biosafety level 2.

Tutte le soluzioni contengono ProClin 300 come conservante. Non pipettare mai con la bocca, ed evitare il contatto con la cute di reagenti o campioni provenienti da pazienti. I reagenti contenenti ProClin possono essere irritanti; evitare ogni contatto con cute e occhi. In caso di contatto sciacquare abbondantemente con acqua.

Le schede dei dati di sicurezza per tutti i componenti pericolosi contenuti in questo kit sono disponibili a richiesta presso Euro Diagnostica.

**Attenzione**

BUF	WASH	30X
DIL		
CONJ		

CONTROL	-
SUBS	pNPP

Contiene ProClin 300:

Miscela di: 5-chloro-2-methyl-4-isothiazolin-3-one [EC no. 247-500-7] and 2-methyl-4-isothiazolin-3-one [EC no. 220-239-6] (3:1)

- H317: Può provocare una reazione allergica cutanea.
 P264: Lavare accuratamente le mani dopo l'uso.
 P280: Indossare guanti/indumenti protettivi/Proteggere gli occhi/il viso.
 P302+352: IN CASO DI CONTATTO CON LA PELLE: lavare abbondantemente con acqua e sapone.
 P333+313: In caso di irritazione o eruzione della pelle: consultare un medico.

Materiali e attrezzature necessarie non fornite dal kit

Lettore per micropiastra con filtro a 405nm

Pipette di precisione con puntali usa e getta

Sistema di lavaggio per le strips, carta assorbente, provette e un timer

Componenti del kit e conservazione dei materiali

Una griglia con pozzetti separati (4x8x3) sigillati in un involucro di alluminio contenente un sacchetto da essiccamento; 4 strip blu per la via classica (CP), rivestite con IgM umane, 4 strip colorate di verde per la via MBL, rivestite con mannano (MP) e 4 strip rosse per la via alternativa (AP) rivestite con LPS.

10 ml di Diluente CP (Dil CP), etichettato in blu

10 ml di Diluente MP (Dil MP), etichettato in verde

10 ml di Diluente AP (Dil AP), etichettato in rosso

13 ml di anticorpo anti-C5b9 coniugato con fosfatasi alcalina (colore blu)

13 ml di soluzione substrato pronta all'uso

30 ml di soluzione di lavaggio concentrata 30x

0,2 ml di controllo negativo (NC) contenente siero umano (da diluire allo stesso modo dei sieri di pazienti)

0,2 ml di controllo positivo (PC) contenenti sieri umani liofilizzati, vedi sotto "Ricostituzione del controllo positivo".

Tutti i reagenti del kit sono pronti per l'uso, eccetto la soluzione per i lavaggi ed i controlli. I reagenti devono essere conservati a 2-8° C, fatta eccezione per il controllo positivo.

Il controllo positivo va conservato a -20° C.

PROCEDURA

Estrarre dalla confezione solo il numero di pozzetti necessari per la reazione, richiudere la confezione di alluminio con cura. Portare le soluzioni a temperatura ambiente (20-25° C) prima di cominciare.

Preparazione della soluzione di lavaggio

Se nella fiala della soluzione di lavaggio concentrata si osserva la formazione di cristalli di sale, scaldare la fiala a bagnomaria a una temperatura di 37°C fino allo scioglimento di tutti i cristalli prima della diluizione della soluzione di lavaggio. Diluire 30 ml della soluzione di lavaggio in 870 ml di acqua distillata. Se conservata a 2-8° C, la soluzione è stabile fino alla data di scadenza del kit.

Ricostituzione del controllo positivo

Far depositare delicatamente sul fondo della provetta tutto il materiale liofilizzato, e togliere il tappo.

Aggiungere immediatamente 200 µl di acqua distillata direttamente sul materiale liofilizzato. Rimettere il tappo. Lasciare la provetta per 5 minuti in ghiaccio, in seguito agitare o vortexare delicatamente ogni tanto fino alla completa solubilizzazione. Diluire il controllo ricostituito nello stesso modo del siero dei pazienti. Il controllo ricostituito può essere conservato fino a 4 ore prima di essere usato se conservato a 2-8° C o in ghiaccio. Può essere congelato a -70° C e scongelato una volta sola.

Sieri

Scongelare parzialmente i sieri ponendoli per breve tempo in un bagno a 37° C in leggera agitazione.

Dopo il parziale scongelamento porre i campioni in ghiaccio e lasciarveli finchè non si scongelano completamente. Vortexare brevemente.

Diluizione sieri

Via Classica (CP): Diluire il siero 1/101 con il Diluente CP, etichettato in blu, (500 µl di Diluente + 5 µl di siero). Il siero diluito può essere lasciato a temperatura ambiente per massimo 60 minuti prima di cominciare il test.

Via MBL (MP): Diluire il siero 1/101 con Diluente MP, segnato in verde, (500 µl Diluente + 5 µl siero). Il siero diluito deve essere lasciato a temperatura ambiente per > 15 minuti, ma non più di 60, prima del test.

Via alternativa (AP): Diluire il siero 1/18 con Diluente AP, segnato in rosso, (340 µl Diluente + 20 µl di siero). I sieri diluiti devono essere lasciati a temperatura ambiente per un massimo di 60 minuti prima del test.

Incubazione dei campioni

Pipettare 100 µl per pozzetto, in duplicato, di Diluente (Dil), da utilizzare come bianco, di controllo positivo (PC), di controllo negativo (NC) e di siero di paziente diluito (P) per ogni via, in base al diagramma. Incubare per 60-70 minuti a +37° C con il coperchio.

Si ricorda che l'incubazione non deve essere eseguita in atmosfera contenente CO₂. In caso di utilizzo di una cabina a CO₂, assicurarsi che l'erogazione di CO₂ sia disinserita/spenta.

	Via Classica				Via MBL				Via Alternativa			
	1	2	3	4	5	6	7	8	9	10	11	12
A	Dil CP	P2			Dil MP	P2			Dil AP	P2		
B	Dil CP	P2			Dil MP	P2			Dil AP	P2		
C	PC	etc			PC	etc			PC	etc		
D	PC				PC				PC			
E	NC				NC				NC			
F	NC				NC				NC			
G	P1				P1				P1			
H	P1				P1				P1			

Dopo l'incubazione dei sieri

Svuotare i pozzetti e lavare per tre volte con 300 µl, riempiendo e svuotando i pozzetti ogni volta. Dopo l'ultimo lavaggio, svuotare i pozzetti e sbattere leggermente la piastra su carta assorbente.

Aggiunta dell'anticorpo coniugato

Aggiungere 100 µl di coniugato ad ogni pozzetto. Incubare per 30 minuti a temperatura ambiente (+20-25° C).

Dopo l'incubazione dell'anticorpo coniugato

Lavare per 3 volte come prima.

Aggiunta della soluzione substrato

Aggiungere 100 µl di soluzione substrato ad ogni pozzetto. Incubare per 30 minuti a temperatura ambiente (+20-25° C). Leggere i valori di assorbanza a 405 nm con un lettore per micropiastra (100 µl di EDTA 5 mM per pozzetto possono essere usati per bloccare la reazione. Leggere l'assorbanza entro 60 minuti).

Calcolo dei risultati

Sottrarre l'assorbanza del bianco (Diluente), (per ogni via) dall'assorbanza del NC, del PC a dei campioni. L'assorbanza del controllo positivo dovrebbe risultare >1 e quella del controllo negativo <0.2. I controlli negativo e positivo possono essere usati per calcolare in maniera semi-quantitativa l'attività del complemento. Calcolare l'assorbanza media a 405 nm per i campioni, il controllo positivo e negativo e valutare la % di attivazione del complemento in questo modo: $(\text{campione} - \text{NC}) / (\text{PC} - \text{NC}) \times 100$. I controlli negativi e positivi sono stati concepiti per monitorare un sostanziale malfunzionamento dei reagenti. Il controllo positivo non può assicurare precisione se ci si trova al limite di sensibilità del saggio. Si raccomanda ad ogni laboratorio di stabilire i propri valori di riferimento ed i valori soglia per le deficienze.

Limiti di utilizzo

I livelli individuali di proteine del complemento non possono essere usati come una misura della severità della patologia, poiché essa può variare da paziente a paziente. È perciò difficile ottenere una standardizzazione assoluta dei risultati. Non ci si dovrebbe affidare solo al test per decidere una terapia, ma si dovrebbero valutare i sintomi clinici ed i risultati di altri esami di laboratorio. Non si dovrebbe iniziare una terapia sulla base dei risultati del test. Inizio o cambiamenti nella terapia non dovrebbero essere basati solo su variazioni dei livelli di complemento ma piuttosto su attente valutazioni cliniche.

Un risultato negativo, ovvero una deficienza, dovrebbe essere verificata testando un nuovo campione, per assicurarsi che non abbia avuto luogo un'attivazione in vitro del complemento.

References

- Walport M, Complement (First of two parts) N Engl J Med 2001, 344, 1058-1066.
- Walport M, Complement (Second of two parts) N Engl J Med 2001, 344, 1140-1144.
- Roos A, Bouwman L, Munoz J et al. , Functional characterization of the lectin pathway of complement in human serum. Mol Immunol 2003, 39, 655-668.
- Nordin Fredriksson G, Truedsson L, Sjöholm A. New procedure for detection of complement deficiency by ELISA. J Imm Meth 1993, 166, 263-270.

Explanation of symbols. L'explication de symboles. La explicación de símbolos. Erklärung der Symbole. La spiegazione di simboli. Explicação dos símbolos. Forklaring til symboler. Symbolforklaring. Förklaringar till symboler.

	Batch code. Numéro de lot. Número de lote. Chargen-Nummer. Numero di lotto. Código do lote. Partnummer. Lot nummer. Satsnummer.
	Catalogue number. Référence catalogue. Número de catálogo. Katalog-Nummer. Numero di catalogo. Número catalogo. Katalognummer.
	Use-by date. Date de péremption. Fecha de caducidad. Verfallsdatum. . La data di scadenza. Prazo de validade. Udløbsdato. Utløpsdato. Använd före.
	Temperature limit. Seuils de températures. Rango de temperature. Temperaturbereich. Limitazioni di temperatura. Limite de temperatura. Opbevaringstemperatur. Oppbevares ved. Förvaringstemperatur.
	Biological risk. Risque biologique. Riesgo biológico. Biologische Gefährdung. Rishio biologico. Risco biológico. Biologisk risk.
	Consult instructions for use. Lire le mode d'emploi. Consulte las instrucciones de uso. Gebrauchsanweisung beachten. Leggere le istruzioni per l'uso. Consultar as instruções de utilização. Se brugsanvisning. Se bruksanvisningen. Läs instruktionsmanualen.
	In vitro diagnostic medical device. Dispositif médical de diagnostic in vitro. Producto sanitario para diagnóstico in vitro. In-vitro-Diagnostikum. Dispositivo medico-diagnostico in vitro. Dispositivos médicos para diagnóstico <i>in vitro</i> . In Vitro medisinsk diagnoseutstyr. In vitro diagnostik medicinsk utrustning.
	Warning. Attention. Atención. Achtung. Attenzione. Atenção. Advarsel. Advarsel. Varning.
	Manufacturer. Fabricant. Fabricante. Hersteller. Produttore. Fabricante. Fabrikant. Producent. Produsent. Tillverkare.
	Contains sufficient for 96 tests. Contenu suffisant pour 96 tests. Contenido suficiente para 96 pruebas. Inhalt ausreichend für 96 Tests. Contenuto sufficiente per 96 test. Indeholder tilstrækkelig for 96 test. Inneholder tilstrekkelig for 96 test. Innehåller tillräckligt för 96 test.
	Conformity to 98/79/EC on In Vitro Diagnostic Medical Device Directive. Conformément à la directive européenne 98/79/CE relative aux dispositifs médicaux de diagnostic in vitro. La conformidad con la Directiva 98/79/CE sobre productos sanitarios para diagnóstico in vitro. Konform mit Richtlinie 98/79/EG zu In-vitro-Diagnostika. Conformità alla direttiva 98/79/CE relativa ai dispositivi medico-diagnostici in vitro. Medicinsk utstyr til in vitro-diagnostik, i overensstemmelse med Europa-Parlamentets og Rådets direktiv 98/79/EF. Medisinsk utstyr i samsvar med EU in vitro diagnostic directive 98/79/EF. Överensstämmer med direktiv 98/79/EG för medicintekniska produkter.

Ag	Antigen. Antigène. Antigeno, Antigen. L'antigene. Antígeno. Antigen. Antigen. Antigen.
DIL	Diluent. Diluant. Diluyente. Probenverdünnungspuffer. Il diluente. Diluente. Diluent. Fortynning. Spädningsbuffert.
CONJ	Conjugate. Conjugué. Conjugado. Konjugat. Conjugato. Conjugado. Konjugat. Konjugat.
BUF WASH 30X	Wash solution 30x conc. Solution lavage conc. 30x. Solución de lavado conc. 30x. Waschpuffer 30x konz. Soluzione di lavaggio 30x conc. Solução de lavagem conc. 30 vezes. Vaskebuffert 30x konc. Vaskeløsning 30x kons. Tvättbuffert 30x konc.
SUBS pNPP	Substrate pNPP. pNPP Substrat. Sustrato pNPP. Substrat pNPP. Substrato pNPP. Substrato pNPP. Substrat pNPP.
CONTROL -	Negative control. Contrôle négatif. Control negativo. Negativkontrolle. Controllo negativo. Controllo negativo. Negativ control. Negativ kontroll. Negativ kontroll.
CONTROL + LYO	Lyophilized positive control. Contrôle positif lyophilisé. Control positivo liofilizado. Lyophilisierte Positivkontrolle. Controllo positivo liofilizzato. Controllo positivo liofilizado. Frysetørret positiv kontrol. Lyofilisert positiv kontroll. Frystorkad positiv kontroll.

BREVES INSTRUÇÕES EM PORTUGUÊS

UTILIZAÇÃO PREVISTA

O Kit Wieslab® para Análise do Sistema do Complemento é um imunoensaio enzimático para a determinação qualitativa das vias clássica funcional, MBL e alternativa do complemento no soro humano.

PARA UTILIZAÇÃO DIAGNÓSTICA *IN VITRO*.

Avisos e precauções

- Para utilização diagnóstica *in vitro*.
- Os componentes de soro humano utilizados na preparação dos controlos do kit foram analisados em termos da presença de anticorpos do vírus da imunodeficiência humana 1 e 2 (VIH 1 e 2), da hepatite C (VHC) e também do antígeno de superfície da hepatite B, através de métodos aprovados pela FDA, e os resultados foram negativos. Visto não existirem métodos analíticos que ofereçam toda a certeza de que o VIH, o VHC, o vírus da hepatite B ou outros agentes infecciosos estão ausentes, as amostras e reagentes de origem humana devem ser processados como se tivessem a capacidade de transmitir agentes infecciosos.
- Os Centros para Controlo e Prevenção de Doenças e os Institutos Nacionais de Saúde recomendam que os agentes potencialmente infecciosos sejam processados ao nível 2 de segurança biológica.
- Todas as soluções contêm ProClina 300 como produto conservante. Nunca pipetar com a boca nem permitir que os reagentes ou a amostra do doente entrem em contacto com a pele. Os reagentes contendo ProClina podem ser irritantes. Evitar o contacto com a pele e os olhos. Em caso de contacto, lavar com muita água.
- As fichas dos dados de segurança do material relativas a todos os componentes perigosos incluídos neste kit estão disponíveis sob pedido junto da Euro Diagnostica.



BUF	WASH	30X
DIL		
CONJ		

CONTROL	-
SUBS	pNPP

Atenção

Contém ProClin 300:

A reacção de massa: 5-chloro-2-methyl-4-isothiazolin-3-one [EC no. 247-500-7] and 2-methyl-4-isothiazolin-3-one [EC no. 220-239-6] (3:1)

- H317: Pode provocar uma reacção alérgica cutânea.
 P264: Lavar as mãos cuidadosamente após manuseamento.
 P280: Usar luvas de protecção/vestuário de protecção/protecção ocular/protecção facial.
 P302+352: SE ENTRAR EM CONTACTO COM A PELE: lavar com sabonete e água abundantes.
 P333+313: Em caso de irritação ou erupção cutânea: consulte um médico.

Recolha de amostras

As amostras de sangue devem ser recolhidas por meio da técnica de venopunção asséptica, devendo obter-se o soro através de procedimentos padrão. Recomenda-se a extracção de pelo menos 5 ml de sangue total. Deixar coagular o sangue em tubos de soro durante 60 a 65 minutos, à temperatura ambiente (20 a 25° C). Centrifugar as amostras de sangue e transferir o soro livre de células para um tubo limpo. **Os soros devem ser processados correctamente para se evitar a activação do complemento *in vitro*.** Os soros devem então ser congelados a -70°C ou menos, em tubos bem fechados, para a armazenagem a longo prazo ou o transporte em gelo seco. As amostras não devem ser congeladas e descongeladas mais do que uma vez. Evitar utilizar soros que sejam ictericos, lipémicos e hemolizados. Não se podem utilizar soros desactivados por calor.

Não se pode utilizar plasma. O NCCLS viabiliza recomendações para a armazenagem de amostras de sangue (*Approved Standard-Procedures for the Handling and Processing of Blood Specimens* (Procedimentos Normais Aprovados para a Manipulação e Processamento de Amostras de Sangue) H18A, 1990)

Componentes do kit e armazenagem dos reagentes

- Um suporte com poços verdes separáveis (4 x 8 x 3) acondicionado dentro de um pacote de folha de alumínio com uma saqueta dessecante. 4 tiras de cor azul para a via clássica (CP), revestidas de IgM humano. 4 tiras de cor verde para a via MBL (MP), revestidas de manana. 4 tiras de cor vermelha para a via alternativa (AP), revestidas de LPS.
- 10 ml de Diluente CP (Dil CP), com etiqueta azul.
- 10 ml de diluente MP (Dil MP), com etiqueta verde.
- 10 ml de diluente AP (Dil AP), com etiqueta vermelha.
- 13 ml de conjugado contendo anticorpos de C5b-9 de alcalina etiquetados com fosfatase (de cor azul).
- 13 ml de solução de substrato, pronta para utilizar.
- 30 ml de solução de lavagem concentrada 30 vezes.
- 0,2 ml de controlo negativo (NC) contendo soro humano. (deve ser diluído como se fosse para uma amostra de soro de um doente).
- 0,2 ml de controlo positivo (PC) contendo soro humano liofilizado; consultar "Reconstituição do controlo positivo", abaixo.

Todos os reagentes do kit estão prontos para ser utilizados, com excepção da solução de lavagem e dos controlos. Os reagentes devem ser armazenados a 2-8° C, com excepção do controlo positivo.

O controlo positivo deve ser armazenado a -20° C.

Materiais ou equipamento necessários mas não fornecidos:

- Leitor de microplacas com filtro de 405 nm.
- Pipetas de precisão com pontas descartáveis.
- Lavador de tiras, tecido absorvente, tubos e um cronómetro.

PROCEDIMENTO

Remover apenas o número de poços necessário para a análise, voltando a fechar cuidadosamente o pacote. Permitir que todas as soluções alcancem a temperatura ambiente (20 a 25° C) antes de iniciar a análise.

Preparação da solução de lavagem

Caso sejam observados cristais de sal no frasco com solução de lavagem concentrada, coloque o frasco num banho de água a 37°C, até os cristais se dissolverem, antes de diluir a solução de lavagem. Diluir 30 ml da solução de lavagem concentrada 30 vezes em 870 ml de água destilada. Quando armazenada a uma temperatura de 2-8° C, a solução de lavagem diluída permanece estável até ao fim do prazo de validade do kit.

Reconstituição do controlo positivo

Dar pequenas pancadas em todo o material liofilizado no fundo do frasco e remover a tampa. Adicionar imediatamente 200 µl de água destilada directamente ao material liofilizado. Tapar novamente o frasco. Colocar o frasco em cima de gelo durante 5 minutos e depois agitar levemente ou processar ocasionalmente em vórtice até o material se dissolver por completo. Diluir o controlo reconstituído tal como se fosse uma amostra de soro de um doente. O controlo reconstituído pode ser armazenado durante um máximo de 4 horas antes de ser utilizado, se for colocado sobre gelo ou armazenado a 2-8° C. Pode ser congelado a -70° C e descongelado uma vez.

Soro

Descongelar parcialmente os soros, colocando-os brevemente num banho maria a 37° C e misturando levemente. Depois do material se ter descongelado parcialmente, colocar imediatamente os tubos num banho de gelo e deixar ficar sobre o gelo até se descongelar por completo. Misturar brevemente num misturador de vórtice.

Diluição do soro

Via Clássica (CP): Diluir o soro 1/101 com Diluente CP, etiqueta azul (500 µl de Diluente + 5 µl de soro). O soro diluído pode permanecer à temperatura ambiente durante o máximo de 60 minutos antes de ser analisado.

Via MBL (MP): Diluir o soro 1/101 com Diluente MP, etiqueta verde (500 µl de Diluente + 5 µl de soro). O soro diluído deve permanecer à temperatura ambiente durante > 15 minutos antes de se fazer a análise, mas não mais de 60 minutos.

Via Alternativa (AP): Diluir o soro 1/18 com Diluente CP, etiqueta vermelha (340 µl de Diluente + 20 µl de soro). O soro diluído pode permanecer à temperatura ambiente durante o máximo de 60 minutos antes de ser analisado.

Incubação de amostras

Pipetar 100 µl / poço em duplicado para Diluente (Dil) como controlo a branco, controlo positivo (PC), controlo negativo (NC) e soro de doente diluído (P) para cada via, conforme o diagrama. Incubar durante 60-70 minutos a +37° C com a tampa fechada.

Por favor tenha em atenção que a incubação não deverá ser realizada numa atmosfera de CO₂. Caso seja utilizada uma câmara de CO₂, certifique-se de que a alimentação de CO₂ se encontra desligada.

	Via Clássica				Via MBL				Via Alternativa			
	1	2	3	4	5	6	7	8	9	10	11	12
A	Dil CP	P2			Dil MP	P2			Dil AP	P2		
B	Dil CP	P2			Dil MP	P2			Dil AP	P2		
C	PC	etc			PC	etc			PC	etc		
D	PC				PC				PC			
E	NC				NC				NC			
F	NC				NC				NC			
G	P1				P1				P1			
H	P1				P1				P1			

Após a incubação do soro

Esvaziar os poços e lavar 3 vezes com 300 µl de solução de lavagem, enchendo e esvaziando os poços todas as vezes. Após a última lavagem, esvaziar os poços, dando ligeiras pancadas com a tira em tecido absorvente.

Adição de conjugado

Adicionar 100 µl de conjugado a cada poço. Incubar durante 30 minutos à temperatura ambiente (+20-25° C).

Após a incubação do conjugado

Lavar 3 vezes, tal como antes.

Adição da solução de substrato

Adicionar 100 µl de solução de substrato a cada poço, incubar durante 30 minutos à temperatura ambiente (+20 – 25° C). Fazer a leitura da absorvência a 405 nm num leitor de microplacas. (pode-se utilizar 5 mM EDTA como solução de paragem, 100 µl / poço. Fazer a leitura da absorvência dos poços dentro de 60 minutos).

Cálculo do resultado

Subtrair a absorvência da análise a branco (Diluente) (para cada via) da NC, da PC e das amostras. A absorvência do controlo positivo deve ser > 1 e a absorvência do controlo negativo deve ser < 0,2. Os controlos negativo e positivo podem ser utilizados de forma semi-quantitativa para calcular a actividade do complemento. Calcular os valores médios de OD₄₀₅ nm da amostra, do PC e do NC e calcular a % da actividade do complemento da seguinte forma: (Amostra-NC) / (PC-NC) x 100. Os controlos negativo e positivo servem para monitorizar casos de falha considerável do reagente. O controlo positivo não assegura a precisão no ponto de corte do ensaio. Recomendamos que cada laboratório estabeleça o seu próprio nível de referência e valor de corte dos casos de deficiência.

Os resultados negativos, isto é, de deficiência, devem ser sempre verificados através de testes de novas amostras, para assegurar que não teve lugar nenhuma activação do complemento *in vitro*.

Limitações

O nível do complemento do doente individual não pode ser utilizado como medida da gravidade da doença, pois o valor pode variar de doente para doente. Assim, é difícil obter uma padronização absoluta dos resultados.

Não se deve contar com a análise como base única das decisões a tomar sobre a terapia médica; a análise serve para ser utilizada em combinação com os sintomas clínicos e os resultados de outras análises disponíveis. Não se deve iniciar o tratamento com base no resultado do ensaio do complemento. O início ou alteração do tratamento não deve ser baseado apenas em alterações dos níveis do complemento, mas sim numa observação clínica cuidadosa.

References

- Walport M, Complement (First of two parts) N Engl J Med 2001, 344, 1058-1066.
- Walport M, Complement (Second of two parts) N Engl J Med 2001, 344, 1140-1144.
- Roos A, Bouwman L, Munoz J et al. , Functional characterization of the lectin pathway of complement in human serum. Mol Immunol 2003, 39, 655-668.
- Nordin Fredriksson G, Truedsson L, Sjöholm A. New procedure for detection of complement deficiency by ELISA. J Imm Meth 1993, 166, 263-270.

Explanation of symbols. L'explication de symboles. La explicación de símbolos. Erklärung der Symbole. La spiegazione di simboli. Explicação dos símbolos. Forklaring til symboler. Symbolforklaring. Förklaringar till symboler.

	Batch code. Numéro de lot. Número de lote. Chargen-Nummer. Numero di lotto. Código do lote. Partnummer. Lot nummer. Satsnummer.
	Catalogue number. Référence catalogue. Número de catálogo. Katalog-Nummer. Numero di catalogo. Número catalogo. Katalognummer.
	Use-by date. Date de péremption. Fecha de caducidad. Verfallsdatum. . La data di scadenza. Prazo de validade. Udløbsdato. Utløpsdato. Använd före.
	Temperature limit. Seuils de températures. Rango de temperature. Temperaturbereich. Limitazioni di temperatura. Limite de temperatura. Opbevaringstemperatur. Oppbevares ved. Förvaringstemperatur.
	Biological risk. Risque biologique. Riesgo biológico. Biologische Gefährdung. Rishio biologico. Risco biológico. Biologisk risk.
	Consult instructions for use. Lire le mode d'emploi. Consulte las instrucciones de uso. Gebrauchsanweisung beachten. Leggere le istruzioni per l'uso. Consultar as instruções de utilização. Se brugsanvisning. Se bruksanvisningen. Läs instruktionsmanualen.
	In vitro diagnostic medical device. Dispositif médical de diagnostic in vitro. Producto sanitario para diagnóstico in vitro. In-vitro-Diagnostikum. Dispositivo medico-diagnostico in vitro. Dispositivos médicos para diagnóstico <i>in vitro</i> . In Vitro medisinsk diagnoseutstyr. In vitro diagnostik medicinsk utrustning.
	Warning. Attention. Atención. Achtung. Attenzione. Atenção. Advarsel. Advarsel. Varning.
	Manufacturer. Fabricant. Fabricante. Hersteller. Produttore. Fabricante. Fabrikant. Producent. Produsent. Tillverkare.
	Contains sufficient for 96 tests. Contenu suffisant pour 96 tests. Contenido suficiente para 96 pruebas. Inhalt ausreichend für 96 Tests. Contenuto sufficiente per 96 test. Inneholder tilstrækkelig for 96 test. Inneholder tilstrekkelig for 96 test. Innehåller tillräckligt för 96 test.
	Conformity to 98/79/EC on In Vitro Diagnostic Medical Device Directive. Conformément à la directive européenne 98/79/CE relative aux dispositifs médicaux de diagnostic in vitro. La conformidad con la Directiva 98/79/CE sobre productos sanitarios para diagnóstico in vitro. Konform mit Richtlinie 98/79/EG zu In-vitro-Diagnostika. Conformità alla direttiva 98/79/CE relativa ai dispositivi medico-diagnostici in vitro. Medicinsk utstyr til in vitro-diagnostik, i overensstemmelse med Europa-Parlamentets og Rådets direktiv 98/79/EF. Medisinsk utstyr i samsvar med EU in vitro diagnostic directive 98/79/EF. Överensstämmer med direktiv 98/79/EG för medicintekniska produkter.

Ag	Antigen. Antigène. Antigeno, Antigen. L'antigene. Antígeno. Antigen. Antigen. Antigen.
DIL	Diluent. Diluant. Diluyente. Probenverdünnungspuffer. Il diluente. Diluente. Diluent. Fortynning. Spädningsbuffert.
CONJ	Conjugate. Conjugué. Conjugado. Konjugat. Conjugato. Conjugado. Konjugat. Konjugat.
BUF WASH 30X	Wash solution 30x conc. Solution lavage conc. 30x. Solución de lavado conc. 30x. Waschpuffer 30x konz. Soluzione di lavaggio 30x conc. Solução de lavagem conc. 30 vezes. Vaskebuffert 30x konc. Vaskeløsning 30x kons. Tvättbuffert 30x konc.
SUBS pNPP	Substrate pNPP. pNPP Substrat. Sustrato pNPP. Substrat pNPP. Substrato pNPP. Substrato pNPP. Substrat pNPP.
CONTROL -	Negative control. Contrôle négatif. Control negativo. Negativkontrolle. Controllo negativo. Controllo negativo. Negativ control. Negativ kontroll. Negativ kontroll.
CONTROL + LYO	Lyophilized positive control. Contrôle positif lyophilisé. Control positivo liofilizado. Lyophilisierte Positivkontrolle. Controllo positivo liofilizzato. Controllo positivo liofilizado. Frysetørret positiv kontrol. Lyofilisert positiv kontroll. Frystorkad positiv kontroll.

KORTFATTET DANSK INSTRUKTION

Produktets anvendelse

Wieslab® Komplement system Screen kit er et enzyme immunoassay til kvalitativ funktionel bestemmelse af, den klassiske, Mannan bindende lectin pathway (MBL) og alternative komplement pathway i humant serum. Analysen skal udføres af uddannede laboranter.

TIL *IN VITRO* DIAGNOSTISK BRUG.

Prøvetagning

Blodprøver udtages ved brug af aseptisk venepunktur teknik og serum adskilles i henhold til standard procedure. Det anbefales at anvende 5 ml fuldblod. Lad blodet koagulere i blodglasset i 60 til 65 minutter ved stuetemperatur. (20–25° C). Centrifuger blodprøven og overfør celle frit serum til et rent rør. **Serum skal behandles korrekt for at undgå in vitro komplement aktivering.** Serum skal fryses ved –70° C eller ved lavere temperatur i rør med tæt sluttende låg til yderligere opbevaring eller til transport på tør is. Prøverne må ikke tø og fryses mere end 1 gang. Undgå at bruge sera der er ikteriske, lipidholdige eller hæmolyserede. Varme inaktiverede sera eller plasma kan ikke bruges. NCCLS har givet anbefalinger om hvordan man opbevarer blodprøver. (Approved Standard-Procedures for the Handling and Processing of Blood Specimens, H18A, 1990).

Sikkerhedsinformation

Humane serum komponenter som anvendes ved præparation af kontroller i kittet er testet negative for human immunodeficiency virus 1 og 2 (HIV 1 og 2), hepatitis C (HCV) og hepatitis B overflade antigen efter FDA godkendte metoder. Bemærk at ingen metode helt kan garantere fravær af HIV, HCV, HBV eller andre infektiøse agens. Alle humane prøver må derfor betragtes som potentielt infektiøse og håndteres med forsigtighed.

Center for Disease Control and Prevention (CDC) og National Institute of Health (NIH) i USA anbefaler at potentielt infektiøse materialer håndteres i overensstemmelse med Biosafety Level 2. Alle opløsninger indeholder ProClin 300 som konserveringsmiddel. Brug aldrig mundpipette. Undgå at få reagens eller serum direkte på huden. Reagenser med ProClin 300 er irriterende og derfor skal kontakt med hud og øjne undgås. Hvis det sker at reagens kommer i kontakt med hud eller øjne, skylles med store mængder vand.

Materiale-sikkerhedsdatablade for alle farlige komponenter i dette kit fås ved henvendelse til Euro Diagnostica.



Advarsel

BUF	WASH	30X
DIL		
CONJ		

CONTROL	-
SUBS	pNPP

Indeholder ProClin 300:
Blanding af: 5-chloro-2-methyl-4-isothiazolin-3-one [EC no. 247-500-7]
and 2-methyl-4-isothiazolin-3-one [EC no. 220-239-6] (3:1)

- H317: Kan forårsage allergisk hudreaktion.
P264: Vask hænderne grundigt efter håndtering.
P280: Bær beskyttelseshandsker/beskyttelsestøj/øjensbeskyttelse/ansigtsbeskyttelse.
P302+352: VED KONTAKT MED HUDEN: Vask med rigeligt sæbe og vand.
P333+313: Ved hudirritation eller udslet: Søg lægehjælp.

Nødvendigt udstyr og materiale som ikke indgår i kittet

Spektrofotometer med filter på 405 nm.

Præcisionspipetter med engangsspidser.

Vaskesystem til strips, filtrerpapir, prøve rør og minutur.

KIT komponenter og opbevaring af reagenser.

En ramme med brønde der kan adskilles (4 x 8 x 3) pakket i tætsluttende foliepose med tørringsmiddel. 4 blå-farvede strips til klassisk pathways (CP), coated med humant IgM. 4 grøn-farvede strips til MBL pathway (MP), coated med mannan, 4 rød-farvede strips til den alternative pathway (AP), coated med LPS.

10 ml Fortynderbuffer CP (Dil CP), farvet blå.

10 ml Fortynderbuffer MP (Dil MP), farvet grøn.

10 ml Fortynderbuffer AP (Dil AP) farvet rød.

13 ml konjugat opløsning som indeholder alkalisk fosfatase-mærket antistoffer mod C5b-9 (blå farve).

13 ml substrat opløsning klar til brug.

30 ml vaskebuffer, 30 x koncentreret

0,2 ml negativ kontrol (NC), indeholder human serum (skal fortyndes som et patient serum).

0,2 ml positiv kontrol (PC), indeholder frysetørret humant serum, se nedenunder "Reopløsning af den positive kontrol".

Alle reagenser i kittet er færdige til brug undtagen vaskebufferen og kontrollerne. Reagenserne skal opbevares ved (2–8° C) undtagen den positive kontrol.

Den positive kontrol skal opbevares ved -20°C.

PROCEDURE

Tag kun det antal brønde som behøves. Luk aluminiumsposen omhyggeligt igen. Alle opløsningerne skal opnå stuetemperatur (20–25° C) før analysen.

Tilberedning af vaskebuffer

Hvis der observers saltkrystal udfælding i flasken med koncentreret vaskeopløsning, skal flasken placeres i et 37°C vandbad indtil krystallerne er opløst. Derefter fortyndes vaskeopløsningen. 30 ml af den 30 x koncentrerede vaskebuffer tilsættes 870 ml destilleret vand. Den færdigfortyndede vaskebuffer er holdbar til kittets udløbsdato, hvis den opbevares ved 2–8° C.

Reopløsning af den positive kontrol

Bring forsigtigt al det frysetørrede materiale ned i bunden af røret og fjern låget. Tilsæt straks 200 µl destilleret vand direkte til det frysetørrede materiale. Sæt låg på. Lad røret at stå på is i 5 minutter og ryst forsigtigt eller bland på vortex mixer flere gange indtil det er helt opløst. Fortynd den reopløste kontrol på samme måde som patient sera. Den reopløste kontrol kan opbevares ved 2–8° C. eller på is i op til 4 timer før brug. Den kan fryses ved -70° C og tøs en gang.

Serum

Frosne sera optøs delvis ved at anbringe dem kort tid i et 37° C varmt vandbad med forsigtig blanding. Derefter anbringes rørene i et is bad indtil de er fuldstændig optøet. Bland kort på en vortex mixer.

Fortynding af sera

Klassisk pathway (CP): Fortynd sera 1/101 med fortynder CP, blå farvet, (500 µl fortynder + 5µl serum). De fortyndede sera kan efterlades ved stuetemperatur i højst 60 minutter før analyse.

MBL Pathway (MP): Fortynd sera 1/101 med fortynder MP, grøn farvet, (500 µl fortynder + 5µl serum). De fortyndede sera **skal** efterlades ved stuetemperatur i > 15 minutter, men ikke i mere end 60 minutter før analyse.

Alternative Pathway (AP): Fortynd sera 1/18 med fortynder AP, rød farvet, (340 µl fortynder + 20 µl serum). De fortyndede sera kan efterlades ved stuetemperatur i højst 60 minutter før analyse.

Inkubation af prøverne

Tilsæt 100 µl /brønd i dobbeltbestemmelse af Fortynderbuffer (Dil) som blank, positiv kontrol (PC), negativ kontrol (NC) og fortyndet patient serum (P) for hver pathway ifølge diagrammet.

	Klassisk Pathway				MBL Pathway				Alternativ Pathway			
	1	2	3	4	5	6	7	8	9	10	11	12
A	Dil CP	P2			Dil MP	P2			Dil AP	P2		
B	Dil CP	P2			Dil MP	P2			Dil AP	P2		
C	PC	etc			PC	etc			PC	etc		
D	PC				PC				PC			
E	NC				NC				NC			
F	NC				NC				NC			
G	P1				P1				P1			
H	P1				P1				P1			

Inkuber i 60–70 minutter ved 37° C med låg.

Venligst bemærk at inkubation ikke må finde sted i CO₂ atmosfære. Hvis en CO₂ inkubator bruges til inkubation, skal CO₂ forsyningen frakobles/afbrydes.

Efter serum inkubation / Tilsæt konjugat

Tøm brøndene og vask 3 gange med 300 µl vaskebuffer, fyld og tøm brøndene hver gang. Efter sidste vask, tøm brøndene ved at slå mod absorberende papir.

Tilsæt 100 µl konjugat i hver brønd. Inkuber i 30 minutter ved stuetemperatur (+20–25° C).

Efter konjugat inkubering

Vask 3 gange som tidligere.

Tilsætning af substrat opløsning

Tilsæt 100 µl substrat opløsning i hver brønd, inkuber i 30 minutter ved stuetemperatur (+20 – 25° C). Aflæs absorbansen i spektrofotometer ved 405 nm. (5 mM EDTA kan bruges som stop opløsning, 100 µl/brønd. Aflæs absorbansen i brøndene indenfor 60 minutter).

Beregning af resultaterne

Træk absorbansen af den blanke (Diluent) (for hver pathway) fra NC, PC og patienternes sera.

Absorbansen af den positive kontrol skal være >1 og den negative kontrol < 0,2.

Negativ og positiv kontrol kan bruges på en semikvantitativ måde til at beregne komplement aktiviteten. Beregn gennemsnit for OD 405 værdierne for prøverne, PC og NC og beregn % af komplement aktiviteten på følgende måde: $(\text{Prøve-NC})/(\text{PC-NC}) \times 100$. De negative og positive kontroller anvendes for at kontrollere at kittene fungerer teknisk. Den positive kontrol kan ikke sikre præcision af analysens cut-off. Det anbefales at hvert laboratorium danner dets egen reference niveau og cut-off værdi.

Begrænsninger

Komplement niveauet hos den individuelle patient kan ikke bruges som mål for graden af alvorlig sygdom, da det kan variere fra patient til patient. Det er således vanskeligt at opnå en absolut standardisering af resultaterne. Testen bør ikke, som eneste metode, danne basis for beslutning vedrørende terapi, men kan anvendes sammen med kliniske symptomer og resultater af andre tilgængelige tests. Opstart eller ændring af behandling bør ikke iværksættes kun på basis af komplement resultater, men hellere på basis af omhyggelig klinisk observation.

Et negative resultat (i.e. mangel/brist) skal konfirmeres med analys af nyt prøve.

References

- Walport M, Complement (First of two parts) N Engl J Med 2001, 344, 1058-1066.
- Walport M, Complement (Second of two parts) N Engl J Med 2001, 344, 1140-1144.
- Roos A, Bouwman L, Munoz J et al. , Functional characterization of the lectin pathway of complement in human serum. Mol Immunol 2003, 39, 655-668.
- Nordin Fredriksson G, Truedsson L, Sjöholm A. New procedure for detection of complement deficiency by ELISA. J Imm Meth 1993, 166, 263-270.

Explanation of symbols. L'explication de symboles. La explicación de símbolos. Erklärung der Symbole. La spiegazione di simboli. Explicação dos símbolos. Forklaring til symboler. Symbolforklaring. Förklaringar till symboler.

	Batch code. Numéro de lot. Número de lote. Chargen-Nummer. Numero di lotto. Código do lote. Partnummer. Lot nummer. Satsnummer.
	Catalogue number. Référence catalogue. Número de catálogo. Katalog-Nummer. Numero di catalogo. Número catalogo. Katalognummer.
	Use-by date. Date de péremption. Fecha de caducidad. Verfallsdatum. . La data di scadenza. Prazo de validade. Udløbsdato. Utløpsdato. Använd före.
	Temperature limit. Seuil de températures. Rango de temperature. Temperaturbereich. Limitazioni di temperatura. Limite de temperatura. Opbevaringstemperatur. Oppbeverages ved. Förvaringstemperatur.
	Biological risk. Risque biologique. Riesgo biológico. Biologische Gefährdung. Rishio biologico. Risco biológico. Biologisk risk.
	Consult instructions for use. Lire le mode d'emploi. Consulte las instrucciones de uso. Gebrauchsanweisung beachten. Leggere le istruzioni per l'uso. Consultar as instruções de utilização. Se brugsanvisning. Se bruksanvisningen. Läs instruktionsmanualen.
	In vitro diagnostic medical device. Dispositif médical de diagnostic in vitro. Producto sanitario para diagnóstico in vitro. In-vitro-Diagnostikum. Dispositivo medico-diagnostico in vitro. Dispositivos médicos para diagnóstico <i>in vitro</i> . In Vitro medisinsk diagnoseutstyr. In vitro diagnostik medicinsk utrustning.
	Warning. Attention. Atención. Achtung. Attenzione. Atenção. Advarsel. Advarsel. Varning.
	Manufacturer. Fabricant. Fabricante. Hersteller. Produttore. Fabricante. Fabrikant. Producent. Produsent. Tillverkare.
	Contains sufficient for 96 tests. Contenu suffisant pour 96 tests. Contenido suficiente para 96 pruebas. Inhalt ausreichend für 96 Tests. Contenuto sufficiente per 96 test. Inneholder tilstrækkelig for 96 test. Inneholder tilstrekkelig for 96 test. Innehåller tillräckligt för 96 test.
	Conformity to 98/79/EC on In Vitro Diagnostic Medical Device Directive. Conformément à la directive européenne 98/79/CE relative aux dispositifs médicaux de diagnostic in vitro. La conformidad con la Directiva 98/79/CE sobre productos sanitarios para diagnóstico in vitro. Konform mit Richtlinie 98/79/EG zu In-vitro-Diagnostika. Conformità alla direttiva 98/79/CE relativa ai dispositivi medico-diagnostici in vitro. Medicinsk utstyr til in vitro-diagnostik, i overensstemmelse med Europa-Parlamentets og Rådets direktiv 98/79/EF. Medisinsk utstyr i samsvar med EU in vitro diagnostic directive 98/79/EF. Överensstämmer med direktiv 98/79/EG för medicintekniska produkter.

Ag	Antigen. Antigène. Antigeno, Antigen. L'antigene. Antígeno. Antigen. Antigen. Antigen.
DIL	Diluent. Diluant. Diluyente. Probenverdünnungspuffer. Il diluente. Diluente. Diluent. Fortynning. Spädningsbuffert.
CONJ	Conjugate. Conjugué. Conjugado. Konjugat. Conjugato. Conjugado. Konjugat. Konjugat.
BUF WASH 30X	Wash solution 30x conc. Solution lavage conc. 30x. Solución de lavado conc. 30x. Waschpuffer 30x konz. Soluzione di lavaggio 30x conc. Solução de lavagem conc. 30 vezes. Vaskebuffert 30x konc. Vaskeløsning 30x kons. Tvättbuffert 30x konc.
SUBS pNPP	Substrate pNPP. pNPP Substrat. Sustrato pNPP. Substrat pNPP. Substrato pNPP. Substrato pNPP. Substrat pNPP.
CONTROL -	Negative control. Contrôle négatif. Control negativo. Negativkontrolle. Controllo negativo. Controllo negativo. Negativ control. Negativ kontroll. Negativ kontroll.
CONTROL + LYO	Lyophilized positive control. Contrôle positif lyophilisé. Control positivo liofilizado. Lyophilisierte Positivkontrolle. Controllo positivo liofilizzato. Controllo positivo liofilizado. Frysetørret positiv kontrol. Lyofilisert positiv kontroll. Frystorkad positiv kontroll.

KORTFATTET NORSK INSTRUKSJON

Bruksområde

Wieslab® komplementært rammesettssystem er en enzym-immunoassay for kvalitativ bestemmelse av funksjonell klassisk, MBL og alternativ komplementær bane i humant serum.
FOR BRUK VED IN VITRO DIAGNOSTISKE FORMÅL.

Advarsler og forsiktighetsregler

- For bruk ved *in vitro* diagnostiske formål.
- Komponentene i det humane serumet som brukes i klargjøringen av kontrolløsningene i settet er blitt testet for tilstedeværelse av antistoffer mot human immunsviktvirus 1 & 2 (HIV 1&2), hepatitt C (HCV) samt hepatitt B-overflateantigen etter FDA-godkjente metoder og funnet negative. Fordi ingen testmetoder kan gi fullstendig garanti om at HIV, HCV, hepatitt B-virus eller andre smittestoffer er fraværende, bør prøver og menneskebaserte reagenser håndteres som om de kan overføre smittestoffer.
- Sentra for sykdomskontroll og forebygging og helsemyndighetene anbefaler at smittestoffer håndteres på sikkerhetsnivå (biosafety level) 2.
- Alle løsninger inneholder ProClin 300 som konserveringsmiddel. Pipetter aldri med munnen og la aldri reagenser eller pasientprøver komme i kontakt med huden. Reagenser som inneholder ProClin kan være irriterende. Unngå kontakt med huden og øynene. Ved kontakt, skyll med store mengder vann.
- På forespørsel Euro Diagnostica gi HMS-datablad på alle farlige komponenter som inngår i settet.



BUF	WASH	30X
DIL		
CONJ		

CONTROL	-
SUBS	pNPP

Advarsel

Inneholder ProClin 300:
Reaksjonsmasse av: 5-chloro-2-methyl-4-isothiazolin-3-one [EC no. 247-500-7] and 2-methyl-4-isothiazolin-3-one [EC no. 220-239-6] (3:1)

- H317: Kan utløse en allergisk hudreaksjon.
 P264: Vask hendene grundig etter behandling.
 P280: Bruk vernehansker/ verneklær / vernebriller / ansiktsskjerm .
 P302+352: VED HUDKONTAKT: Vask grundig med såpe og vann.
 P333+313: Ved hudirritasjon eller utslett: Søk legehjelp.

Innsamling av prøver

Blodprøver skal samles inn ved hjelp av aseptisk venepunksjonsteknikk og serum samles med standard prosedyrer. Det anbefales minst 5 ml fullblod. La blodet koagulere i serumrør i 60-65 minutter ved romtemperatur (20-25 °C). Sentrifuger blodprøvene og overfør cellefritt serum til et rent rør. **Sera må håndteres korrekt for å unngå *in vitro* komplementær aktivering.** Sera bør fryses ved -70 °C eller lavere i tett forseglede rør for lengre oppbevaring eller for transport på tørris. Prøvene bør ikke fryses og tines mer enn én gang. Unngå bruk av sera som er ikteriske, lipemiske og hemolyserte. Varmedeaktiverede sera kan ikke brukes. Plasma kan ikke brukes. NCCLS gir anbefalinger for oppbevaring av blodprøver, (Approved Standard-Procedures for the Handling and Processing of Blood Specimens, H18A, 1990).

Komponenter i settet og oppbevaring av reagenser

- En ramme med avrivbare brønner (4x8x3) forseglet i foliepakning med en tørkepose. 4 blåfargede remser for klassisk bane (CP), dekket med human IgM. 4 grønnfargede remser for MBL-bane (MP), dekket med mannan. 4 rødfargede remser for alternativ bane (AP), dekket med LPS.
- 10 ml fortynnings-CP (Dil CP), merket blå.
- 10 ml fortynnings-MP (Dil MP), merket grønn.
- 10 ml fortynnings-AP (Dil AP), merket rød.
- 13 ml konjugat som inneholder alkaliske fosfatamerkede antistoffer mot C5b-9 (blå farge).
- 13 ml substratløsning klar til bruk.
- 30 ml vaskeløsning konsentrert 30x.
- 0,2 ml negativ kontroll (NC) som inneholder humant serum. (Skal fortynnes som for en prøve på pasientserum).
- 0,2 ml positiv kontroll (PC) som inneholder frysetørket humant serum, se "Rekonstitusjon av positiv kontroll" nedenfor.

Alle reagenser i settet er klare til bruk, bortsett fra vaskeløsning og kontroller. Reagensene bør oppbevares ved 2-8 °C, bortsett fra den positive kontrollen. **Den positive kontrollen bør oppbevares ved -20 °C.**

Nødvendige materialer/utstyr som ikke følger med

- Mikroplateleser med filter, 405 nm.
- Presisjonspipetter med engangstupper.
- Vasker for remser, absorberende stoff, rør og en tidsmåler.

PROSEDYRE

Fjern bare det antall brønner som er nødvendig for testing. Forsegle aluminiumspakningen nøye igjen. La alle løsninger ekvilibrerer til romtemperatur (20-25 °C) før analyse.

Klargjøring av vaskeløsning

Dersom det observeres saltkrystaller i flasken med konsentrert vaskeløsning, plasseres flasken i et vannbad på 37°C til krystallene har løst seg opp før vaskeløsningen fortynnes. Fortynn 30 ml av den 30x konsentrerte vaskeløsningen i 870 ml destillert vann. Ved oppbevaring ved 2-8 °C er den fortyndede vaskeløsningen stabil til utløpsdatoen for settet.

Rekonstitusjon av den positive kontrollen

Bank forsiktig ned alt lyofilisert materiale til bunnen av hetteglasset og fjern korken. Tilsett straks 200 µl destillert vann rett i det lyofiliserte materialet. Sett på korken igjen. La hetteglasset stå i is i 5 minutter og rist deretter forsiktig eller virvle nå og da til innholdet er fullstendig oppløst. Fortynn den rekonstituerte kontrollen på samme måte som en pasientserumprøve. Den rekonstituerte kontrollen kan oppbevares i opp til 4 timer før bruk ved 2-8 °C eller på is. Den kan fryses ved -70 °C og tint en gang.

Serum

Tin delvis fryst sera ved å legge dem kort i vannbad på 37 °C og bland dem forsiktig. Etter delvis tining plasseres rørene straks i et isbad hvor de skal bli stående til de er fullstendig tint. Blandes kort på en virvelblander.

Fortynning av serum

Klassisk bane (CP): Fortynn serumet 1/101 med fortynnings-CP, blå etikett, (500 µl fortynning + 5 µl serum). Det fortyndede serumet kan stå i romtemperatur i maks. 60 minutter før analyse.

MBL-bane (MP): Fortynn serumet 1/101 med fortynnings-MP, grønn etikett, (500 µl fortynning + 5 µl serum). Det fortyndede serumet må stå i romtemperatur i >15 minutter før analyse, men ikke lengre enn 60 minutter.

Alternativ bane (AP): Fortynn serumet 1/18 med fortynnings-AP, rød etikett, (340 µl fortynning + 20 µl serum). Det fortyndede serumet kan stå i romtemperatur i maks. 60 minutter før analyse.

Inkubasjon av prøver

Pipetter 100 µl/brønn i duplikat av fortytning (Dil) som en blank, positiv kontroll (PC), negativ kontroll (NC) og fortyntet pasientserum (P) for hver bane i henhold til skjemaet. Inkuber i 60-70 minutter ved +37 °C med lokk.

Merk at det ikke må utføres noen inkubasjon under CO₂-atmosfære. Hvis det brukes et CO₂-kabinett, påse at CO₂-forsyningen er koblet fra/av.

	Klassisk bane				MBL-bane				Alternativ bane			
	1	2	3	4	5	6	7	8	9	10	11	12
A	Dil CP	P2			Dil MP	P2			Dil AP	P2		
B	Dil CP	P2			Dil MP	P2			Dil AP	P2		
C	PC	etc			PC	etc			PC	etc		
D	PC				PC				PC			
E	NC				NC				NC			
F	NC				NC				NC			
G	P1				P1				P1			
H	P1				P1				P1			

Etter seruminkubasjon

Tøm brønnene og vask tre ganger med 300 µl vaskeløsning, ved å fylle og tømme brønnene hver gang. Etter siste vasking tømmes brønnene ved å banke remsen mot absorberende stoff.

Tilsette konjugat

Tilsett 100 µl konjugat i hver brønn. Inkuber i 30 minutter ved romtemperatur (+20-25 °C).

Etter konjugatinkubasjon

Vask tre ganger som tidligere.

Tilsette substratløsning

Tilsett 100 µl substratløsning i hver brønn, inkuber i 30 minutter ved romtemperatur (+20-25 °C). Les av absorbansen ved 405 nm på en mikroplateleser. (5 mM EDTA kan brukes som stoppløsning, 100 µl/brønn. Les av absorbansen for brønnene i løpet av 60 minutter.)

Beregning av resultatet

Trekk absorbansen for den blanke (fortyning) (for hver bane) fra NC, PC og prøvene. Absorbansen for den positive kontrollen skal være >1 og den negative kontrollabsorbansen < 0,2.

De negative og positive kontrollene kan brukes på en semikvantitativ måte for å beregne komplementær aktivitet. Beregn gjennomsnittlig OD₄₀₅ nm-verdier for prøven, PC og NC og beregn prosentvis komplementær aktivitet på følgende måte: $(\text{prøve-NC})/(\text{PC-NC}) \times 100$. De negative og positive kontrollene er beregnet på å overvåke betydelig reagensfeil. Den positive kontrollen vil ikke sikre presisjon ved cut-off for assayet. Det anbefales at hvert laboratorium etablerer egne referansenivåer og cutoff-verdi for mangler.

Et negativt resultat, dvs. mangel, bør alltid verifiseres ved å teste en ny prøve for å sikre at et ikke har forekommet in vitro komplementær aktivitet.

Begrensninger

Den enkelte pasients komplementære nivå kan ikke brukes som et mål på alvorlighetsgraden til en sykdom, da dette kan variere fra pasient til pasient. Derfor er det vanskelig å oppnå en absolutt standardisering av resultater.

Testen bør ikke brukes som det eneste grunnlaget for beslutninger om klinisk behandling, men bør brukes i kombinasjon med kliniske symptomer og resultater fra andre tilgjengelige tester. Behandling bør ikke startes på grunnlag av resultatene fra det komplementære assayet. Oppstart eller endringer av behandling bør ikke baseres på endringer i komplementære nivåer alene, men på grundig klinisk observasjon.

References

- Walport M, Complement (First of two parts) N Engl J Med 2001, 344, 1058-1066.
- Walport M, Complement (Second of two parts) N Engl J Med 2001, 344, 1140-1144.
- Roos A, Bouwman L, Munoz J et al. , Functional characterization of the lectin pathway of complement in human serum. Mol Immunol 2003, 39, 655-668.
- Nordin Fredriksson G, Truedsson L, Sjöholm A. New procedure for detection of complement deficiency by ELISA. J Imm Meth 1993, 166, 263-270.

Explanation of symbols. L'explication de symboles. La explicación de símbolos. Erklärung der Symbole. La spiegazione di simboli. Explicação dos símbolos. Forklaring til symboler. Symbolforklaring. Förklaringar till symboler.

	Batch code. Numéro de lot. Número de lote. Chargen-Nummer. Numero di lotto. Código do lote. Partnummer. Lot nummer. Satsnummer.
	Catalogue number. Référence catalogue. Número de catálogo. Katalog-Nummer. Numero di catalogo. Número catalogo. Katalognummer.
	Use-by date. Date de péremption. Fecha de caducidad. Verfallsdatum. . La data di scadenza. Prazo de validade. Udløbsdato. Utløpsdato. Använd före.
	Temperature limit. Seuils de températures. Rango de temperature. Temperaturbereich. Limitazioni di temperatura. Limite de temperatura. Opbevaringstemperatur. Oppbevares ved. Förvaringstemperatur.
	Biological risk. Risque biologique. Riesgo biológico. Biologische Gefährdung. Rishio biologico. Risco biológico. Biologisk risk.
	Consult instructions for use. Lire le mode d'emploi. Consulte las instrucciones de uso. Gebrauchsanweisung beachten. Leggere le istruzioni per l'uso. Consultar as instruções de utilização. Se brugsanvisning. Se bruksanvisningen. Läs instruktionsmanualen.
	In vitro diagnostic medical device. Dispositif médical de diagnostic in vitro. Producto sanitario para diagnóstico in vitro. In-vitro-Diagnostikum. Dispositivo medico-diagnostico in vitro. Dispositivos médicos para diagnóstico <i>in vitro</i> . In Vitro medisinsk diagnoseutstyr. In vitro diagnostik medicinsk utrustning.
	Warning. Attention. Atención. Achtung. Attenzione. Atenção. Advarsel. Advarsel. Varning.
	Manufacturer. Fabricant. Fabricante. Hersteller. Produttore. Fabricante. Fabrikant. Producent. Produsent. Tillverkare.
	Contains sufficient for 96 tests. Contenu suffisant pour 96 tests. Contenido suficiente para 96 pruebas. Inhalt ausreichend für 96 Tests. Contenuto sufficiente per 96 test. Indeholder tilstrækkelig for 96 test. Inneholder tilstrekkelig for 96 test. Innehåller tillräckligt för 96 test.
	Conformity to 98/79/EC on In Vitro Diagnostic Medical Device Directive. Conformément à la directive européenne 98/79/CE relative aux dispositifs médicaux de diagnostic in vitro. La conformidad con la Directiva 98/79/CE sobre productos sanitarios para diagnóstico in vitro. Konform mit Richtlinie 98/79/EG zu In-vitro-Diagnostika. Conformità alla direttiva 98/79/CE relativa ai dispositivi medico-diagnostici in vitro. Medicinsk utstyr til in vitro-diagnostik, i overensstemmelse med Europa-Parlamentets og Rådets direktiv 98/79/EF. Medisinsk utstyr i samsvar med EU in vitro diagnostic directive 98/79/EF. Överensstämmer med direktiv 98/79/EG för medicintekniska produkter.

Ag	Antigen. Antigène. Antigeno, Antigen. L'antigene. Antígeno. Antigen. Antigen. Antigen.
DIL	Diluent. Diluant. Diluyente. Probenverdünnungspuffer. Il diluente. Diluente. Diluent. Fortynning. Spädningsbuffert.
CONJ	Conjugate. Conjugué. Conjugado. Konjugat. Conjugato. Conjugado. Konjugat. Konjugat.
BUF WASH 30X	Wash solution 30x conc. Solution lavage conc. 30x. Solución de lavado conc. 30x. Waschpuffer 30x konz. Soluzione di lavaggio 30x conc. Solução de lavagem conc. 30 vezes. Vaskebuffert 30x konc. Vaskeløsning 30x kons. Tvättbuffert 30x konc.
SUBS pNPP	Substrate pNPP. pNPP Substrat. Sustrato pNPP. Substrat pNPP. Substrato pNPP. Substrato pNPP. Substrat pNPP.
CONTROL -	Negative control. Contrôle négatif. Control negativo. Negativkontrolle. Controllo negativo. Controllo negativo. Negativ control. Negativ kontroll. Negativ kontroll.
CONTROL + LYO	Lyophilized positive control. Contrôle positif lyophilisé. Control positivo liofilizado. Lyophilisierte Positivkontrolle. Controllo positivo liofilizzato. Controllo positivo liofilizado. Frysetørret positiv kontrol. Lyofilisert positiv kontroll. Frystorkad positiv kontroll.

KORTFATTAD SVENSK INSTRUKTION

Produktens användning

Wieslab® COMPL 300 test kit är en *enzyme-linked immunosorbent assay (ELISA)* för funktionell bestämning av den klassiska, mannan-bindande lektin (MBL) och alternativa komplementvägen. Analysen skall utföras av behörig personal.
FÖR *IN VITRO* DIAGNOSTISK ANVÄNDNING.

Provtagning

COMPL 300 analysen är avsedd för serumprover. Ta blodprovet i rör utan tillsats. En volym på minst 5 ml helblod rekommenderas. Låt provet koagulera under 60 – 65 minuter vid rumstemperatur (20-25° C). Centrifugera och överför serumet till nytt rör. **Det är mycket viktigt att hantera provet så att komplementaktivering inte sker.** Förvara provet portionerat i frys (-70° C), transport bör ske med torris. Prov skall inte återfrysas. Analysera inte sera som är ikteriska, lipemiska eller hemolyserade. Värmeinaktiverat sera eller plasma kan inte analyseras. NCCLS har gett ut rekommendationer på hur man förvarar blodprover (Approved Standard-Procedures for the Handling and Processing of Blood Specimens, H18A, 1990).

Säkerhetsinformation

- Endast för *in vitro* diagnostik.
- Serum som använt vid preparation av kontroller och kalibratorer har testat negativt för antikroppar mot humant immunodeficiency virus 1 & 2 (HIV 1&2), hepatit C (HCV) och hepatit B ytantigen. Tänk dock på att ingen metod kan helt garantera frånvaron av HIV, HCV, hepatit B virus, eller andra infektiösa agens. Alla humana prov måste därför betraktas som potentiellt infektiösa och hanteras med försiktighet.
- Centers for Disease Control and Prevention (CDC) och National Institutes of Health (NIH) i USA rekommenderar att potentiellt infektiösa material hanteras i enlighet med Biosafety Level 2.
- Alla lösningar innehåller ProClin 300 som konserveringsmedel. Pipettera aldrig med munnen. Undvik att få reagens eller patientprov direkt på huden. Reagens med ProClin 300 är irriterande och därför skall kontakt med hud och ögon undvikas. I händelse av att reagens kommit i kontakt med hud eller ögon, skölj med stora mängder vatten.
- På begäran kan Euro Diagnostica tillhandahålla säkerhetsdatablad om alla farliga komponenter som ingår i kitet.



Varning

BUF	WASH	30X
DIL		
CONJ		

CONTROL	-
SUBS	pNPP

Innehåller ProClin 300:

Reaktionsmassa bestående av: 5-chloro-2-methyl-4-isothiazolin-3-one [EC no. 247-500-7] and 2-methyl-4-isothiazolin-3-one [EC no. 220-239-6] (3:1)

- H317: Kan orsaka allergisk hudreaktion.
 P264: Tvätta händerna grundligt efter användning.
 P280: Använd skyddshandskar/skyddskläder/ögonskydd/ansiktsskydd.
 P302+352: VID HUDKONTAKT: Tvätta med mycket tvål och vatten.
 P333+313: Vid hudirritation eller utslag: Sök läkarhjälp.

Nödvändig utrustning och material som ej ingår i kitet

- Spektrofotometer med filter för 405 nm.
- Precisionspipetter med engångspetsar.
- Tvättmaskin för mikrotiterplattor, torkpapper, provrör, timer

Ingående reagens och förvaring

- En ram med brytbara strips (4x8x3). 4 blåfärgade strips för den klassiska vägen (CP) belagda med humant IgM, 4 grönfärgade strips för MBL vägen (MP) belagda med mannan, 4 rödfärgade strips för den alternativa vägen (AP) belagda med LPS. Allt förpackat i en återförslutningsbar foliepåse med torkmedel.

- 10 ml Diluent CP (Dil CP), blå färg
 - 10 ml Diluent MP (Dil MP), grön färg
 - 10 ml Diluent AP (Dil AP), röd färg
 - 13 ml konjugatlösning, alkaliskt fosfatasmärkta antikroppar mot C5b-9 (blå färg).
 - 30 ml tvättlösning, 30x koncentrerad.
 - 13 ml pNPP substratlösning.
 - 0,2 ml negativ kontroll (NC), humant serum (spädes som ett patientprov)
 - 0,2 ml positiv kontroll (PC), frystorkat humant serum, se "Rekonstitution av positiv kontroll"
- Alla reagens i kitet är färdiga att använda utom tvättlösningen och kontroller. Förvara kitet i kyl (+ 2-8° C). **Observera att den positiva kontrollen skall förvaras i frys (-20° C).**

TESTPROCEDUR

Alla lösningar skall vara rumstempererade innan man använder dem. Tag endast ut det antal strips som behövs. Resten skall förvaras i försluten aluminiumpåse.

Beredning av tvättlösning

Om saltkristaller observeras i flaskan med koncentrerad tvättlösning, placeras flaskan i 37 °C vattenbad tills kristallerna är upplösta, detta görs innan utspädning av tvättlösningen. Späd 10 ml av den 30x koncentrerade tvättlösningen med 290 ml destillerat vatten., Den spädda tvättlösningen håller till kitets utgångsdatum om man förvarar den vid 2-8° C.

Rekonstitution av positiv kontroll (PC)

Se till att det frystorkade materialet ligger i botten på röret innan förslutningen bryts. Tillsätt 200 µl destillerat vatten. Förslut röret. Sätt röret på isbad och skaka röret försiktigt då och då tills allt material löst sig. Fördela i lämpliga volymer och förvara i frys (-70° C). Vid analys, späd kontrollen som ett prov med respektive Diluent. Uppspädd kontroll kan förvaras upp till 4 timmar vid 2-8° C eller på isbad.

Behandling av serumprov

Det frusna provet tinas genom att först inkubera i vattenbad vid 37° C. Då nästan all is tinat förs provet över på isbad tills allt material gått i lösning. Blanda försiktigt.

Provspädning

Klassiska vägen (CP): Späd serumet 1/101 med Diluent CP, blå etikett, (500 µl Diluent + 5 µl serum). Kan stå maximalt 60 minuter i rumstemperatur före analys.

MBL vägen (MP): Späd serumet 1/101 med Diluent MP, grön etikett, (500 µl Diluent + 5 µl serum). Uppspädd prov **måste** stå minst 15 minuter men maximalt 60 minuter i rumstemperatur före analys.

Alternativa vägen (AP): Späd serumet 1/18 med Diluent AP, röd etikett, (340 µl Diluent + 20 µl serum). Kan stå maximalt 60 minuter i rumstemperatur före analys.

Provinkubering

Tillsätt 100 µl/brunn av patientprover och kontroller enligt tabellen nedan. Inkubera under lock i 60–70 minuter vid 37° C.

Observera att ingen inkubation ska utföras under CO₂ atmosfär. Om ett CO₂ skåp används, se till att CO₂-tillförseln är fränkopplad/off.

	Klassiska vägen				MBL vägen				Alternativa vägen			
	1	2	3	4	5	6	7	8	9	10	11	12
A	Dil CP	P2			Dil MP	P2			Dil AP	P2		
B	Dil CP	P2			Dil MP	P2			Dil AP	P2		
C	PC	etc			PC	etc			PC	etc		
D	PC				PC				PC			
E	NC				NC				NC			
F	NC				NC				NC			
G	P1				P1				P1			
H	P1				P1				P1			

Efter provinkubering / Tillsättning av konjugat

Tvätta 3 gånger med 300 µl tvättlösning/brunn, var noga med att helt tömma och fylla brunnarna i varje tvättcykel. Efter sista tvätten skall alla rester av vätska avlägsnas genom att slå mikrotiterstripsen mot ett absorberande papper.

Tillsätt 100 µl konjugatlösning till varje brunn. Inkubera 30 minuter i rumstemperatur.

Efter konjugat inkubering

Tvätta som tidigare.

Tillsättande av substratlösning

Tillsätt 100 µl substrat pNPP i varje brunn. Inkubera 30 minuter i rumstemperatur.

Avläs absorbansen i en spektrofotometer vid 405 nm. (Som stopplösning kan 5 mM EDTA användas.

Avläsning bör ske inom 60 minuter).

BERÄKNINGAR

Blankens absorbans för respektive väg dras från absorbansen hos NC, PC och proverna. Den positiva kontrollens absorbans skall vara > 1. Den negativa kontrollens absorbans skall vara < 0,2. NC och PC kan användas för att ange ett semikvantitativt värde för komplement aktiviteten. Räkna ut medelvärde för OD405 nm för varje prov, PC och NC och beräkna därefter den procentuella komplement aktiviteten genom att använda följande formel: $(\text{Prov-NC})/(\text{PC-NC}) \times 100$.

De negativa och positiva kontrollerna används för att kontrollera att kitet fungerar tekniskt. Om något/några värden inte faller inom angivet område bör testen ej godkännas och man skall köra om analysen. Ytterligare kontroller kan analyseras, om så krävs av lokala myndigheter. Rekommendationer angående kvalitetskontroll kan fås ur NCCLSs dokument C24-A.

Analysens begränsningar

- En enskild patients nivå av komplement kan inte användas för att bedöma graden av sjukdom då det skiljer från olika patienter. Det är därför svårt att standardisera denna typ av analys.
- Man får inte basera kliniska bedömningar enbart med ledning av analysresultat från detta test. Istället skall analysresultatet användas tillsammans med andra relevanta parametrar, inte minst allmänkliniska (symptom etc), för att korrekt bedöma den specifika kliniska situationen. Inte heller får behandling initieras eller ändras enbart på grund av ändringar i komplementnivåer utan skall istället baseras på den totala kliniska bilden.

Ett negativt resultat (i.e. brist) skall alltid verifieras med analys av ett nytt prov för att undanröja risken för in vitro aktivering.

References

- Walport M, Complement (First of two parts) N Engl J Med 2001, 344, 1058-1066.
- Walport M, Complement (Second of two parts) N Engl J Med 2001, 344, 1140-1144.
- Roos A, Bouwman L, Munoz J et al. , Functional characterization of the lectin pathway of complement in human serum. Mol Immunol 2003, 39, 655-668.
- Nordin Fredriksson G, Truedsson L, Sjöholm A. New procedure for detection of complement deficiency by ELISA. J Imm Meth 1993, 166, 263-270.

Explanation of symbols. L'explication de symboles. La explicación de símbolos. Erklärung der Symbole. La spiegazione di simboli. Explicação dos símbolos. Forklaring til symboler. Symbolforklaring. Förklaringar till symboler.

	Batch code. Numéro de lot. Número de lote. Chargen-Nummer. Numero di lotto. Código do lote. Partnummer. Lot nummer. Satsnummer.
	Catalogue number. Référence catalogue. Número de catálogo. Katalog-Nummer. Numero di catalogo. Número catalogo. Katalognummer.
	Use-by date. Date de péremption. Fecha de caducidad. Verfallsdatum. . La data di scadenza. Prazo de validade. Udløbsdato. Utløpsdato. Använd före.
	Temperature limit. Seuils de températures. Rango de temperature. Temperaturbereich. Limitazioni di temperatura. Limite de temperatura. Opbevaringstemperatur. Oppbevares ved. Förvaringstemperatur.
	Biological risk. Risque biologique. Riesgo biológico. Biologische Gefährdung. Rishio biologico. Risco biológico. Biologisk risk.
	Consult instructions for use. Lire le mode d'emploi. Consulte las instrucciones de uso. Gebrauchsanweisung beachten. Leggere le istruzioni per l'uso. Consultar as instruções de utilização. Se brugsanvisning. Se bruksanvisningen. Läs instruktionsmanualen.
	In vitro diagnostic medical device. Dispositif médical de diagnostic in vitro. Producto sanitario para diagnóstico in vitro. In-vitro-Diagnostikum. Dispositivo medico-diagnostico in vitro. Dispositivos médicos para diagnóstico <i>in vitro</i> . In Vitro medisinsk diagnoseutstyr. In vitro diagnostik medicinsk utrustning.
	Warning. Attention. Atención. Achtung. Attenzione. Atenção. Advarsel. Advarsel. Varning.
	Manufacturer. Fabricant. Fabricante. Hersteller. Produttore. Fabricante. Fabrikant. Producent. Produsent. Tillverkare.
	Contains sufficient for 96 tests. Contenu suffisant pour 96 tests. Contenido suficiente para 96 pruebas. Inhalt ausreichend für 96 Tests. Contenuto sufficiente per 96 test. Inneholder tilstrækkelig for 96 test. Inneholder tilstrekkelig for 96 test. Innehåller tillräckligt för 96 test.
	Conformity to 98/79/EC on In Vitro Diagnostic Medical Device Directive. Conformément à la directive européenne 98/79/CE relative aux dispositifs médicaux de diagnostic in vitro. La conformidad con la Directiva 98/79/CE sobre productos sanitarios para diagnóstico in vitro. Konform mit Richtlinie 98/79/EG zu In-vitro-Diagnostika. Conformità alla direttiva 98/79/CE relativa ai dispositivi medico-diagnostici in vitro. Medicinsk utstyr til in vitro-diagnostik, i overensstemmelse med Europa-Parlamentets og Rådets direktiv 98/79/EF. Medisinsk utstyr i samsvar med EU in vitro diagnostic directive 98/79/EF. Överensstämmer med direktiv 98/79/EG för medicintekniska produkter.

Ag	Antigen. Antigène. Antigeno, Antigen. L'antigene. Antígeno. Antigen. Antigen. Antigen.
DIL	Diluent. Diluant. Diluyente. Probenverdünnungspuffer. Il diluente. Diluente. Diluent. Fortynning. Spädningsbuffert.
CONJ	Conjugate. Conjugué. Conjugado. Konjugat. Conjugato. Conjugado. Konjugat. Konjugat.
BUF WASH 30X	Wash solution 30x conc. Solution lavage conc. 30x. Solución de lavado conc. 30x. Waschpuffer 30x konz. Soluzione di lavaggio 30x conc. Solução de lavagem conc. 30 vezes. Vaskebuffert 30x konc. Vaskeløsning 30x kons. Tvättbuffert 30x konc.
SUBS pNPP	Substrate pNPP. pNPP Substrat. Sustrato pNPP. Substrat pNPP. Substrato pNPP. Substrato pNPP. Substrat pNPP.
CONTROL -	Negative control. Contrôle négatif. Control negativo. Negativkontrolle. Controllo negativo. Controllo negativo. Negativ control. Negativ kontroll. Negativ kontroll.
CONTROL + LYO	Lyophilized positive control. Contrôle positif lyophilisé. Control positivo liofilizado. Lyophilisierte Positivkontrolle. Controllo positivo liofilizzato. Controllo positivo liofilizado. Frysetørret positiv kontrol. Lyofilisert positiv kontroll. Frystorkad positiv kontroll.

EURO DIAGNOSTICA AB

Lundavägen 151, SE-212 24 Malmö, Sweden
 Phone: +46 40 53 76 00, Fax: +46 40 43 22 88
 E-mail: info@eurodiagnostica.com
 www.eurodiagnostica.com